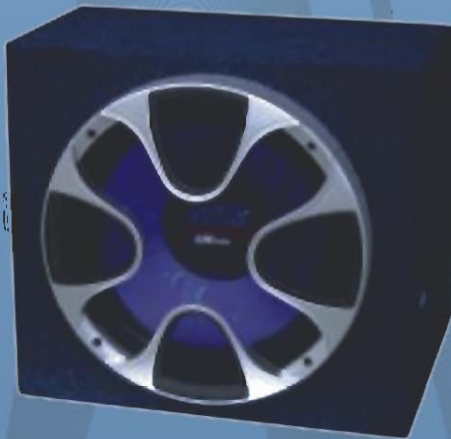


PYLE

SPECIFICATIONS

PLBS10



PLBS12



PLBS102

PLBS122



PLBN102

PLBN122

About Pyle PLBS/PLBN-Series Hatchback SubWoofer Systems

Congratulations

You have just purchased one of our high quality Pyle Hatchback Subwoofer Systems, PLBS/PLBN Series Hatchback Subwoofer Systems is carefully designed & manufactured for vehicle use. They could deliver consistent and high performance

The General Features of Pyle PLBS/PLBN Series Hatchback SubWoofer Systems

High Power 4 Ohm Sub-woofers

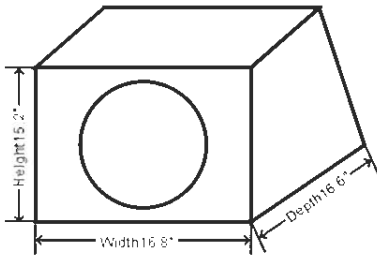
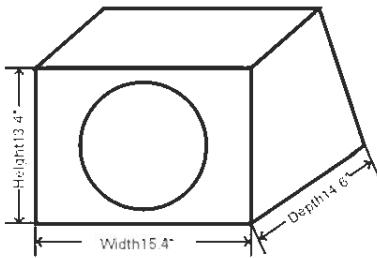
Aluminium Voice Coil

Bandpass Alignment For Extra Deep Bass

Blue Polypropylene Cone (for PLBS)/SILVER Polypropylene cone(for PLBN)

Specially Treated Black Rubber Edge Suspension

PLBS 10

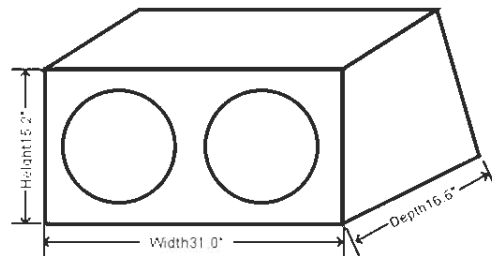
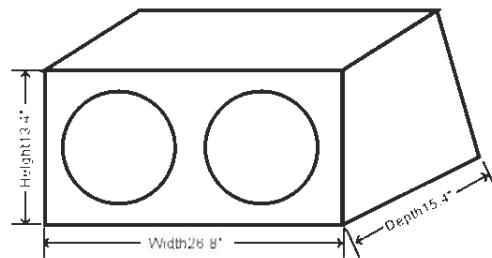


FEATURESD	PLBS10	PLBS12
Woofers Size	10"	12"
Power Handling(Peak)	400W	500W
Frequency Response	30Hz-700Hz	25Hz-600Hz
Woofers Used	PLBS10	PLBS12
Dimensions	13.4"x15.4"x14.6"	15.2"x16.8"x16.6"

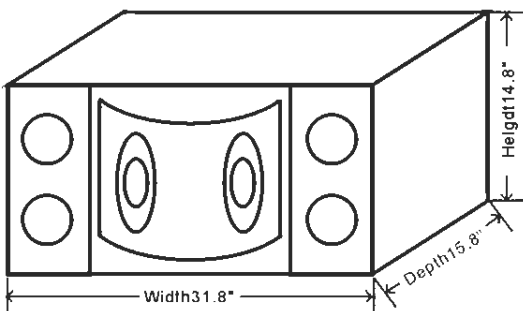
PLBS 12

FEATURESD	PLBS102	PLBS122
Woofers Size	2X10"	2X12"
Power Handling(Peak)	800W	1000W
Frequency Response	30Hz-700Hz	25Hz-600Hz
Woofers Used	PLBS102	PLBS122
Dimensions	13.4"x26.8"x15.4"	15.2"x31.0"x16.6"

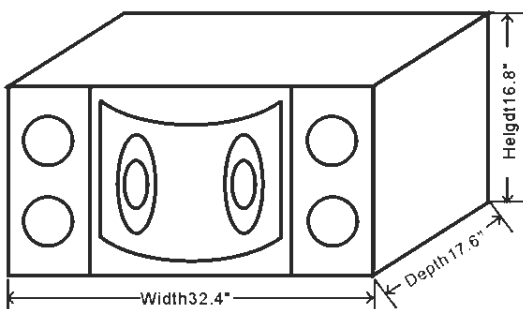
PLBS 102



PLBS 122



PLBN 102



PLBN 122

FEATURESD	PLBN102	PLBN122
Woofers Size	2X10"	2X12"
Power Handling(Peak)	1000W	1200W
Frequency Response	35Hz-1KHz	35Hz-1KHz
Woofers Used	PLBN102	PLBN122
Ports	4	4
Dimensions	14.8"x31.8"x15.8"	16.8"x32.4"x17.6"

MANUFACTURER'S LIMITED TWO YEAR WARRANTY

PYLE AUDIO CORP. warrants this unit to be free from defective material or workmanship and will repair or replace this unit or any parts belonging to this unit. only if proven that after normal use it was defective within two(2) years from the date of original purchase.

The item, when sent in for service should be accompanied by proof of purchase.

Our obligation under this warranty is limited to the repairing or replacing at our discretion, the defective instrument or any part there of when it is returned, transportation must be prepaid to the legacy Service Center at the address below. The return shipping fees are as follows if the entire enclosure is sent in there will be a fee of \$ 25.00 for return shipping, however we would suggest you would return only the defective speakers if that \$15.00. Be advised we are not responsible for cosmetic damage of the unit.

This, warranty will be considered void, if the unit has been tampered in a commercial vehicle. This warranty does not cover accidental damage. All payment accompanying defective units should be by US money order, or any other payment option must be authorized by our service center.

Send your unit to:

PLYE SERVICE CENTER
1600-63RD Street
Brooklyn, New York 11204 USA
1-718-236-2400
1-800-444-5671
www.pyleaudio.com

IMPORTANT

Pack carefully in original carton if possible. We are not responsible for damage incurred in returning items for repair. A letter stating your exact street address, daytime phone number, and a brief statement describing the problem you are experiencing to ensure proper repair of the unit in question.