

LOCATION OF CONTROLS

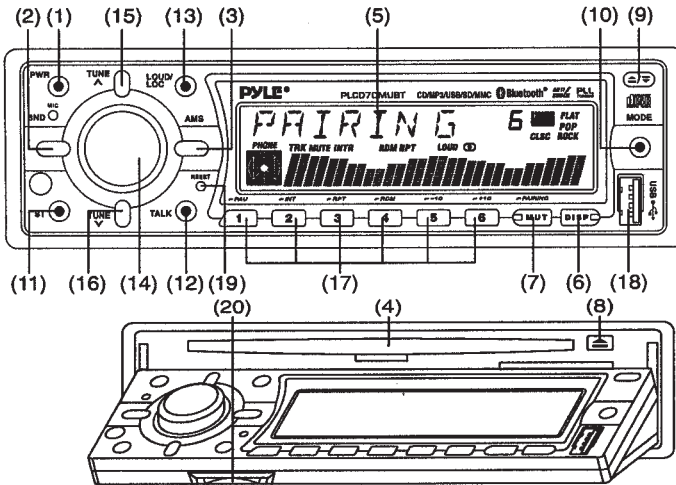
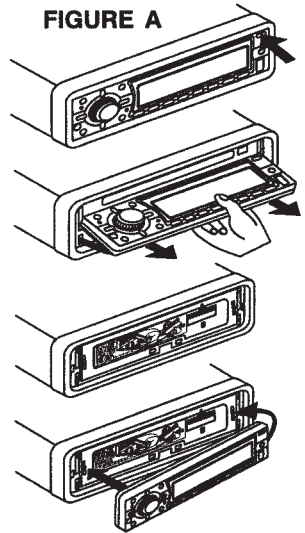


FIGURE A



REMARK :
AT ANY TIME, IF THE WIRE IS DISCONNECTED, THE RESET BUTTON MUST BE PRESSED AGAIN BEFORE OPERATE THE RADIO (REFER TO RESET BUTTON FEATURE). OTHERWISE, THE RADIO MAY NOT WORK PROPERLY.

OPERATING INSTRUCTIONS

1. POWER ON/OFF CONTROL

Press the button to turn the power "ON" or "OFF".

Note : The unit can be turn on by pressing any keys on the panel (except open/close button & disc eject button). It will help the user who cannot find the power button in dark.

2. BAND SELECTOR

Each time this button is pressed, the radio band is changed. The indication "FM1", "FM2", "FM3", "MW1" or "MW2" will appear on the display according to your selection.

3. PRE-SCAN/AUTO-STORE BUTTON

This button allows you to enjoy "Preset Memory Scan" function by pushing it shortly, and "Auto-Store Memory" function by pushing it more than 2 seconds.

- PS (PRESET MEMORY SCAN) - It calls the memorized station frequencies (from 1-6) automatically every 5 seconds.
- AS (AUTO-STORE MEMORY) - It searches all station frequencies upward and memorize automatically 6 stations by catching the frequency which has scan-stop level, the memorized station is shown on LCD as "1" to "6". After memorizing, auto-store memory function will be changed to "Preset Memory Scan" function automatically.

4. DISC SLOT

Holding the disc and insert into the disc slot. The disc mechanism will automatically engage into CD/MP3 play mode.

5. LCD DIGITAL DISPLAY

The unit utilizes a digital type display which shows numerical indication of station FREQUENCY and other FUNCTIONS.

6. DISPLAY CONTROL

This button serves to show available information as following:

- Time
- Track No. / Playing Time (during CD and MP3 mode)

SETTING CLOCK TIME MANUALLY

- Briefly press "DISP" button until clock time appear on the display.
- Press and hold the button until the clock flash and release "DISP" button.
- While clock is flashing, rotate "VOL/SEL" control clockwise to set HOUR and anti-clockwise to set MINUTE.

7. MUTE CONTROL / PAIRING MOBILE PHONE HANDFREE OPERATION BUTTON

For Mute Function

Press the button to mute volume control and "MUTE ON" will appear on the display.

For Pairing Function

Please refer to the "Pairing the Unit with Mobile Phone via Bluetooth Wireless Technology" for details.

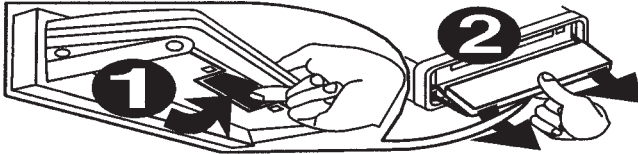
8. EJECT BUTTON

Press the button to eject the disc inside disc slot.

9. OPEN/CLOSE BUTTON / DETACHING PANEL BUTTON (FIGURE A)

* Press this button to show the disc slot in the main panel. Then, press once to close the disc slot.

* To detach the front panel, press this button so that the panel slide down from vertical to horizontal position. Use thumb hold near the preset button between 3 and 4, and use other finger to hold the corrugated release button (1) at the back of the front panel while pulling (2). After the panel is released, the slide down metal frame will automatically move backward until it locks to the original position.



* To re-attach the panel, put the front panel to the slide down metal frame by clipping it into place.

10. MODE SELECTION

Press this button to select Radio (TUNER), CD/MP3 (S-CDP), USB port for MP3 Input (USB-DRIV) or SD/MMC card Input (MEM-CARD) mode.

11. STEREO/MONO CONTROL

Press this button to select "STEREO" or "MONO" reception.

12. TALK BUTTON

Press this button for Bluetooth wireless technology operation (please refer to the "Handfree operation" for details).

13. LOUD CONTROL / LOCAL-DISTANT SELECTOR

For Loud Function

Briefly press the button to activate the loudness circuitry which compensates for loss of high and low frequencies during low volume levels.

For Local-Distant Function

When pressing the button for more than 2 seconds, it activates to prevent strong local stations from overlapping weaker stations. For normal operation, press this button again for distance.

14. VOLUME/SELECTION CONTROL

Rotate the button anti-clockwise to decrease, or clockwise to increase volume level.

AUDIO LEVEL CONTROL (WHEN PUSHING ONE AFTER ANOTHER)

Press this button shortly one after another to show VOL/BAS/TRE/BAL/FAD control.

- VOLUME - Press this button once, then rotate anti-clockwise to decrease, or clockwise to increase volume level.
- BASS - Press this button once, then rotate anti-clockwise to decrease, or clockwise to increase bass level.
- TREBLE - Press this button once, then rotate anti-clockwise to decrease, or clockwise to increase treble level.
- BALANCE - Press this button once, then rotate anti-clockwise or clockwise to level balance of speaker right and left.
- FADER - Press this button once, then rotate anti-clockwise or clockwise to level fader of speaker front and rear.

AUDIO/SETTING SELECT (HOLD MORE THAN 2 SECONDS)

When pressing the button for more than 2 seconds, it activates as unit setting selection in cyclical mode as following. The unit setting can be changed by rotating the button clockwise or anti-clockwise.

- DSP OFF / POP M / ROCK M / CLASS M / FLAT M
- ESP 12 / ESP 45 (setting 12 seconds or 45 seconds of electronic anti-shock time for audio CD)
- MULT OFF / MULT ON (not available for this model)
- BEEP ON / BEEP OFF (not available for this model)
- SEEK 1 (tune up/down buttons performs fast tune function) / SEEK 2 (tune up/down buttons performs auto tuning function when pressed more than 1 second)
- COLOR 1 / COLOR 2 (not available for this model)

15/16. MANUAL UP/DOWN TUNING / TRACK SEEK UP/DOWN CONTROL

On radio mode, press the button will tune one frequency step higher or lower. Pressing the button more than 1 second can perform fast tuning function or auto tuning function.

On CD/MP3/USB-DRIV/MEM-CARD mode, press this button will locate the beginning of the track being played or will locate the beginning of the next track. When pressing more than 2 seconds, it will move fast forward or fast backward to a specific position.

17. STATION PRESET BUTTON (1-6)

The PRESET BUTTONS on the unit are used to store station frequencies which you may wish to recall. Each preset button can store FM1, FM2, FM3, MW1, MW2 band station frequency. Pressing the button momentarily recalls the station frequency which was memorized. There are 6 preset buttons, giving you capability of storing 18FM / 12MW.

NOTE: When the preset button to be memorized is kept pressed for more than 2 seconds, the receiving station frequency will be stored in the button pressed. After this, the memorized station can be recalled by pressing the button once.

On CD / MP3 / USB-DRIV / MEM-CARD Mode

- Preset 1 - press this button to pause the disc / file played.
- Preset 2 - press this button to scan the first 10 seconds of all the tracks on the selected disc / USB drive / SD or MMC Card.
- Preset 3 - press this button to repeat the current track of the disc / USB drive / SD or MMC Card.
- Preset 4 - press this button to play disc / USB drive / SD or MMC Card at random order - Disc shuffle play.
- Preset 5 - press this button to search -10 track (for MP3 / USB-DRIV / MEM-CARD Mode only).
- Preset 6 - press this button to search +10 track (for MP3 / USB-DRIV / MEM-CARD Mode only).

18. USB HOST

The unit is ready to play MP3 songs on an external USB device through the USB host directly on the front panel.

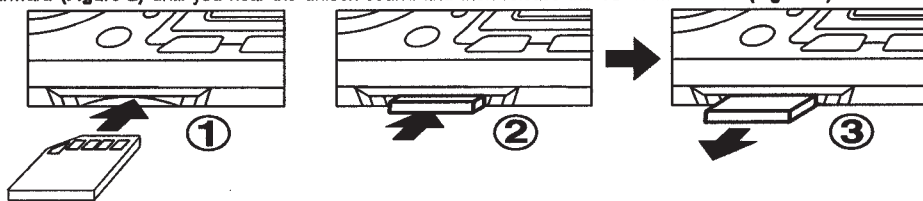
19. RESET BUTTON

This button is located in front of the panel. It is recessed in order to prevent accidental engagement, and can be activated with the tip of a ball-point pen or any similar pointed object. This reset circuitry is provided in order to protect the unit's microprocessor, and should only be activated under the following conditions :

- a) Initial installation after all wiring is completed.
- b) Abnormal operation is encountered such as numerical indication on display is erratic.
- c) Whenever the reset button is activated, all preset memory content will be erased and must be reprogrammed.

20. SD/MMC CARD SLOT

Holding the SD or MMC card and insert into the slot until you hear the lock sound (Figure 1). The unit will automatically engage into MEM-CARD play mode. If you want to eject the SD or MMC card, just press the card inward (Figure 2) until you hear the unlock sound and then release the SD or MMC card (Figure 3).



Pairing the Unit with Mobile Phone via Bluetooth Wireless Technology

- Press "MUT" button about 5 seconds until "PAIRING" show on display.
- Turn ON connection via Bluetooth wireless technology from the mobile phone Menu, then search new paired device.
- Select "CAR_HANDFREE" and entering password "0000" to start pairing. Once pairing is completed, "PHONE" indicator will show on display.
- If pairing cannot be completed in 2 minutes, press "MUT" button once more to start PAIRING again.

Handfree Operation

- Outgoing Call - Dial the number on the phone and hear voice from car speakers.
- Answering Call - Press "TALK" button once to accept incoming call.
- Hang Up - Press "TALK" button once to end communication.
- Last Number Redial - Shortly press "TALK" button twice to dialing the last outgoing number.
- Reject Call - When there is incoming call, press "TALK" button more than 2 seconds to reject the call.
- Transfer Call to Phone - When using handfree for talking, press "TALK" button more than 2 seconds to transfer listening of call from car speakers to phone.

INSTRUCTION TO PLAY MP3 SONGS

IMPORTANT NOTES

- The MP3 file recording media acceptable to this unit are CD-R, CD-RW, USB flash memory, SD or MMC memory card.
- The MP3 formats acceptable are limited.
- Do not attempt to play a media containing non-MP3 files or non-MP3 files with MP3 extension. Otherwise, the CD Mechanism/USB Drive/MEM-CARD Drive will not be working properly. If "ERROR" is shown, it is suggested to reset the radio by pressing the reset button.

PLAY ON MP3 SONG

- Insert the media with MP3 song in the disc slot / insert the USB flash memory / insert SD/MMC card. The unit will start playing and checks all the files and folder on the media.
- If MP3 files and directories are recognized, the media will start playing.
- The MP3 files and directories are accessed according to the order written by the CD / flash memory / SD or MMC card writer.

TRACK SEARCH

- Press "AMS" button once and "TRK SCH" will be shown on the display.
- Press "VOL/SEL" control to enter track search mode and "TRK 0001" will appear on the display for you to enter track number.
- Rotate "VOL/SEL" control clockwise or anti-clockwise to shift number 0 – 9 in loop rotation.
- Press "VOL/SEL" control shortly to select the first digit.
- Repeat the same procedure to enter the other digits if required.
- After the track number is selected, press "VOL/SEL" control more than 2 seconds to start playing the selected track.
- If track number is not entered within 10 seconds, the unit will continue playing the current file.

FILES SEARCH

- Press "AMS" button twice and "FILE SCH" will be shown on the display.
- Press "VOL/SEL" control to enter file search mode.
- Rotate "VOL/SEL" control clockwise or anti-clockwise to view the directories.
- After the selected directory is selected, rotate "VOL/SEL" control either clockwise or anti-clockwise to view the files.
- Press "VOL/SEL" control to play the selected file.
- If directories or files name is not entered within 10 seconds, the unit will continue playing the current file.

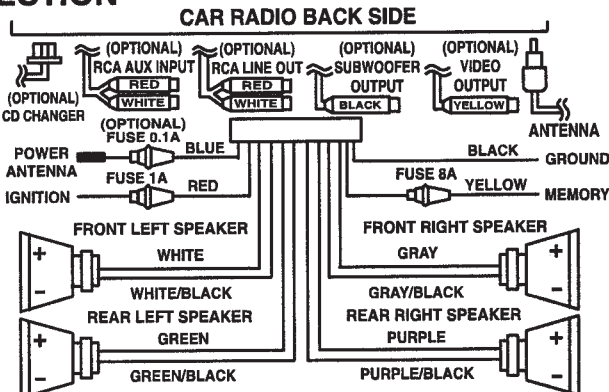
CHARACTER SEARCH

- Press "AMS" button 3 times and "CHAR SCH" will be shown on the display.
- Press "VOL/SEL" control to enter into character search mode and "A" will appear on the display for you to enter first character.
- Enter whole name of files (maximum 8 characters) by rotating "VOL/SEL" control clockwise or anti-clockwise to shift "A-Z", "0-9" & "*" (space) in loop rotation.
- Press "VOL/SEL" control shortly to select the first character.
- Repeat the same procedure to enter the other characters if required.
- After the whole name of file is entered, press "VOL/SEL" control more than 2 seconds to start playing the selected track.

Remark :

- 1) The media must contain directories or files name written by the CD / USB flash memory / SD or MMC card writer in order to use in searching.
- 2) If only partial letters are entered for searching either in directories or files name, you may not get it correctly.

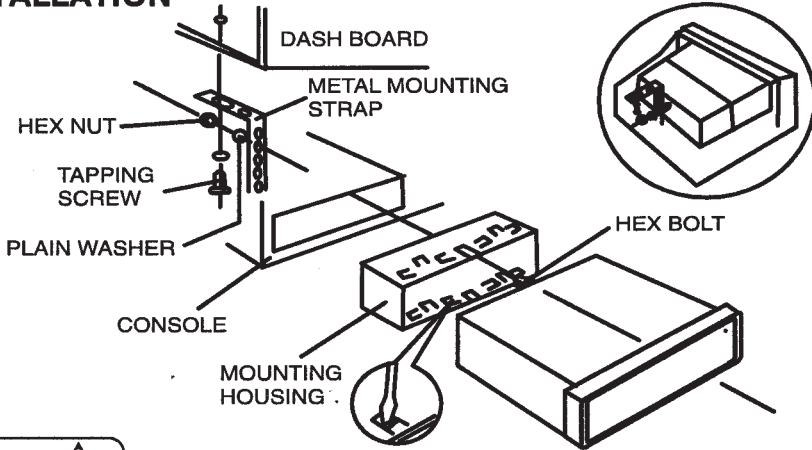
WIRE CONNECTION



CAUTION:

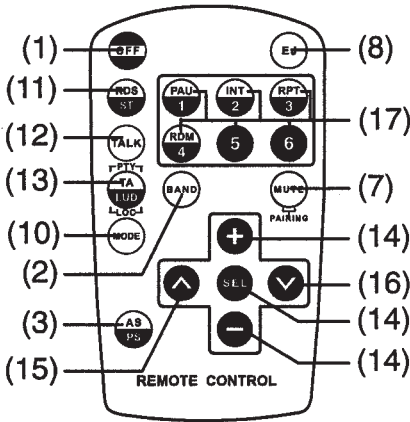
Do not connect the speaker wires to chassis or car body. Each speaker wire cannot be soldered together with other wires. Otherwise, the unit will be damaged and no sound will come out anymore.

INSTALLATION

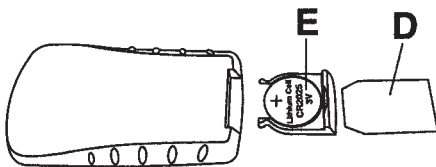


CAUTION : DO NOT PLACE THE UNIT OVER THE MAXIMUM INSTALLATION ANGLE OF 30°. OTHERWISE, THE UNIT MAY NOT WORK PROPERLY.

REMOTE CONTROL



Remove the transparency plastic thin plate (D) before use and replace the CR2025(3V) lithium battery (E) if necessary.



UNIT REMOVAL

1. Remove Front Control Panel.
2. Slightly insert the key into the slot and gently to release.
3. Separate the sleeve from the unit. Keep release key in a safe place as you may need for future removal of unit.

WARNING!!

Due to protection of CD Mechanism, two small screws on the top of the unit must be released before operate the unit. Otherwise, the CD Mechanism can not be working properly.

