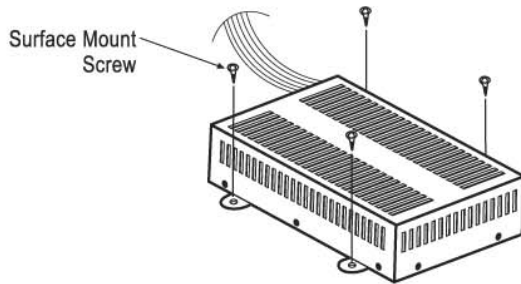
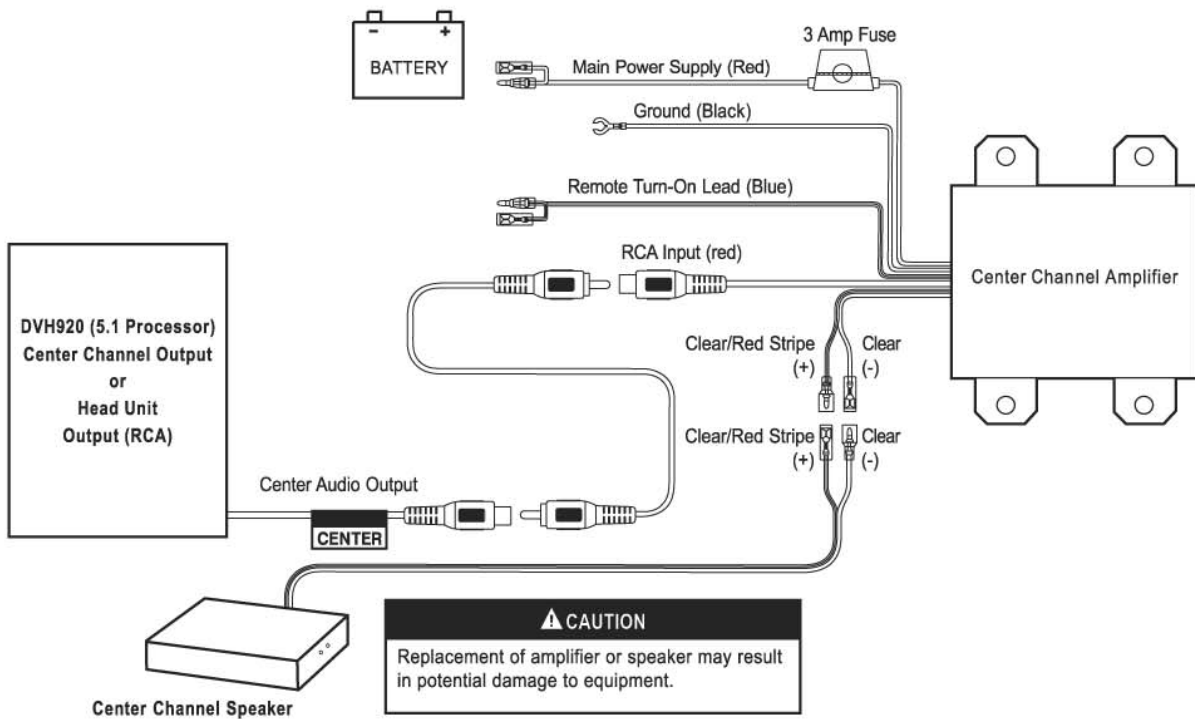


AMPLIFIER MOUNTING

Secure the amplifier unit to the surface with the provided screws.

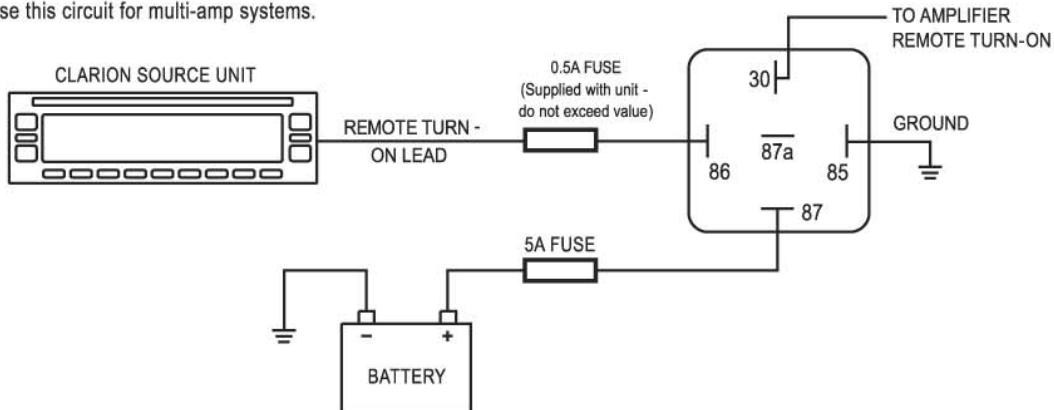


AMPLIFIER WIRE CONNECTIONS



REMOTE TURN-ON RELAY DIAGRAM

Use this circuit for multi-amp systems.





PLVWCRK5 1/2 DIN Center Channel Speaker and Amplifier

Installation / Wire Connection Guide

FEATURES

- High power 50W maximum power amplifier.
 - Five (5) - 3/4" front mounted full range drivers for mid and high frequencies.
 - Two (2) - 1" rear mounted drivers for accurate mid-bass response
- This design delivers clear and precise sound to your 5.1 surround sound system.***
- Dynamic audio sound is achieved from speakers 1" or less in diameter by utilizing strong neodymium boron magnets.
 - Included with the center channel speaker are mounting brackets and hardware for ease of installation.
 - The compact design of the central channel speaker allows installation into virtually any 1/2 DIN opening.

ACCESSORIES

ITEM	QTY
Surface mount screws	8
Bracket mount screws	4
Brackets	2
Owner's Manual	1
Warranty Statement	1

SPECIFICATIONS

Amplifier

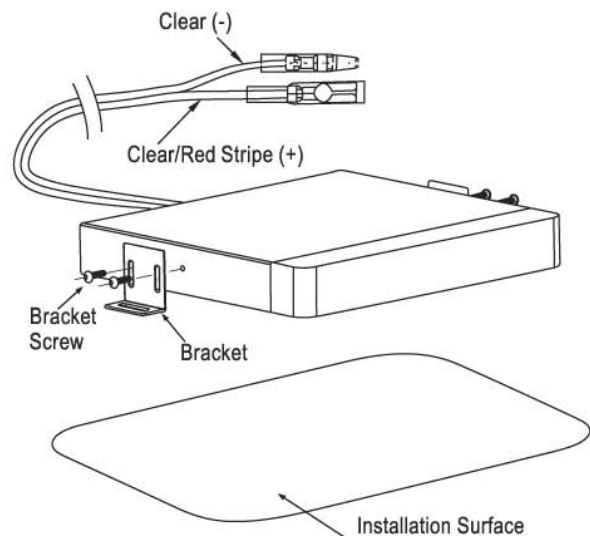
Continuous Power Output	25W (1kHz @ into 4 Ohm at 1% THD)
Peak Power Output	50W
Distortion	0.1% at 1.0W 1kHz
S/N	70dB (0dB=1kHz 1W 4 Ohm)
Input Sensitivity	200mV to 4V
Frequency Response	450Hz to 29kHz
Power Supply Voltage	10.8V to 15.6V
Current Consumption	3A
Dimensions	1-3/4"H x 3-3/8"W x 5-3/4"L
Weight	1lb

Speaker Box

Five (5) - 3/4" Full Range Speakers	
Two (2) - 1" Low Frequency Speakers	
Peak Power Input	50W
Continuous Power Input	25W
Dimensions	1"H x 6-3/4"L x 6-1/2"L
Weight	0.5lb

CENTER CHANNEL SPEAKER INSTALLATION

1. Determine the desired location for center channel speaker and amplifier insuring there is an adequate space for the speaker enclosure and ventilation for the amplifier.
2. Install center channel speaker with provided brackets and screws.
3. Mount amplifier using provided screws.
4. Connect the speaker wire from the amplifier to center channel speaker. (Clear/Red stripe wire is positive).
5. Connect a RCA from your head unit or processor's center channel output to the amplifier's input.
6. Connect the ground wire from the amplifier to good, clean chassis spot.
7. Run 10 gauge wire from the battery to power input in the amplifier. (Fuse appropriately at the battery).
8. Connect the remote power turn-on circuit from your head unit to the blue wire on the amplifier. (May require additional relay).
9. Adjust the input sensitivity on the amplifier to avoid clipping or distortion.



⚠ WARNING

Installation of the center channel speaker or amplifier on or near vehicle's air bag can result in serious injury or damage to the unit.