



## USER'S MANUAL

Model No: PWMA900

Model No: PWMA920CS

Model No: PWMA930CD

Model No: PWMA950SCD

# INTRODUCTION

## INTRODUCTION

Thank you for choosing our wireless meeting PA amplifier system.

This owner’s manual contains important information that will help you get the most out of your system. Please read it thoroughly before operating the unit.

**Note:**

- 1. To use the built-in rechargeable battery, recharge the battery before operation (page 10).
- 2. If the system is not going to be used for a long period of time, make sure to recharge the battery at least one a month (page 10). Failure to do so will lead to a deep discharge and battery failure.

## TABLE OF CONTENTS

Introduction-----1  
Parts Description-----2~5  
Features & Specification-----5~8  
User's Guide-----9~12  
Important Safeguards-----13~14  
Limited warranty-----15

## SYSTEM CONTENTS

- 1. AC Cord (1)
- 2. Output Connector (1)
- 3. Handheld wireless mic (1)
- 4. Handheld wired mic (1)
- 5. Caster Wheels and foot stands
- 6. Mic holder (2)
- 7. Battery 9V(1)
- 8. User Manual (1)

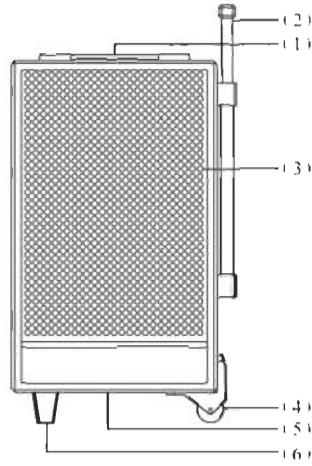
# PARTS DESCRIPTION

## PARTS DESCRIPTION

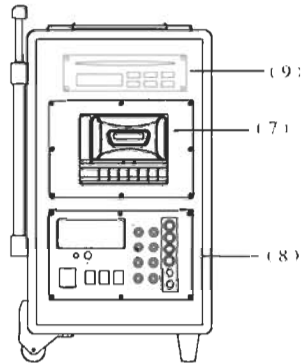
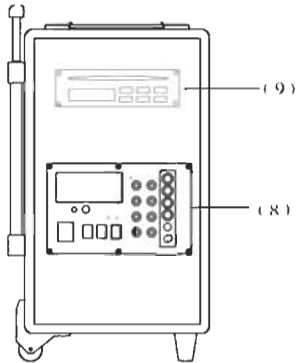
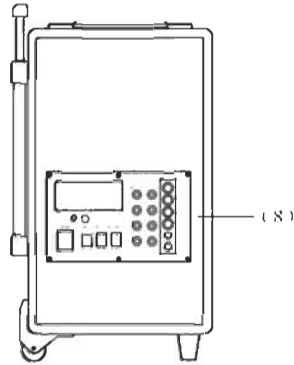
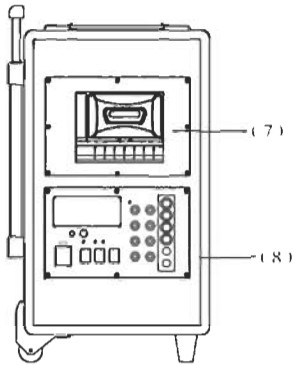
### 1. MAIN UNIT

- (1) Telescopic Handle
- (2) Trolley
- (3) Grill
- (4) Wheels
- (5) Base
- (6) Foot Stand
- (7) Cassette Player & Recorder
- (8) Control Board
- (9) DVD

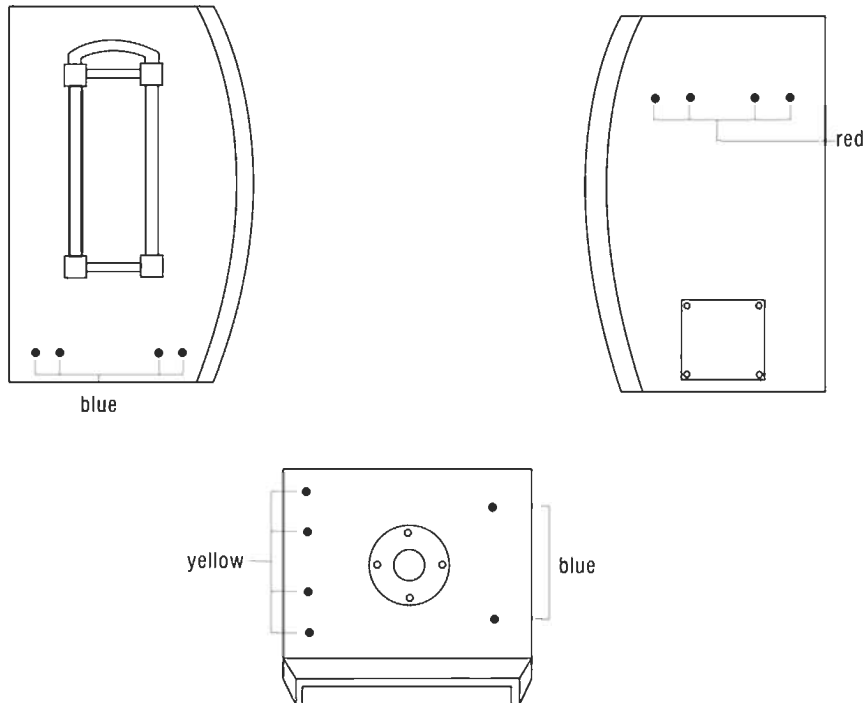
### Front Panel



### Rear Panel

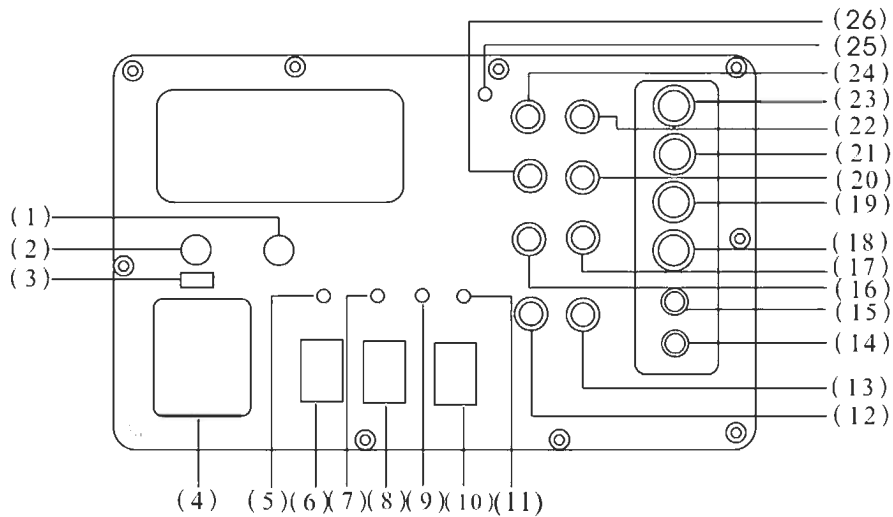


## PARTS DESCRIPTION



- 1.) Put caster holes to against the side and bottom of cabinet, where the blue labels are, then install screw one to secure the caster.
- 2.) Put Mic hanger holes to against the side of cabinet, where the red labels are, inserted the screw one by one to secure the hanger.
- 3.) Put foot stand holes to against the side and bottom of the cabinet, where the yellow labels are, then inserted the screw one by one to secure the foot stand.

## PARTS DESCRIPTION

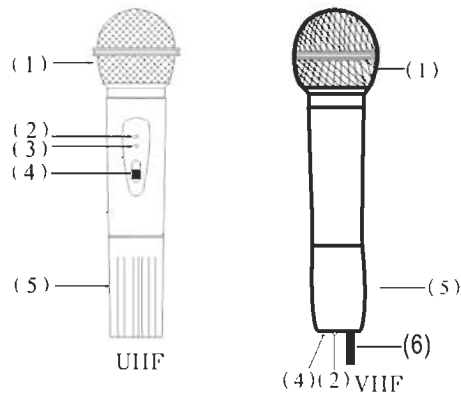


1. EXT speaker output jack
2. DC power in put jack
3. 115/230V switch
4. AC power input jack
5. Power LED indicator
6. Main Power Switch
7. Voice Priority LED Indicator
8. Voice Priority Switch
9. Battery Charge Indicator
10. Priority Mode
11. Battery low indicator
12. Master control
13. Audio in volume control
14. Right Audio in
15. Left Audio in
16. Tone control
17. Volume control of MIC-4
18. Line out jack output
19. Wired MIC-4 input jack
20. Volume control of wired MIC-3
21. Wired MIC-3 input jack
22. Volume control of wired MIC-2
23. Wires MIC-2 input jack
24. Volume control of wired MIC & wireless MIC Ch-1
25. Wireless MIC CH-1 RF LED indicator
26. Volume of CD/Tape control

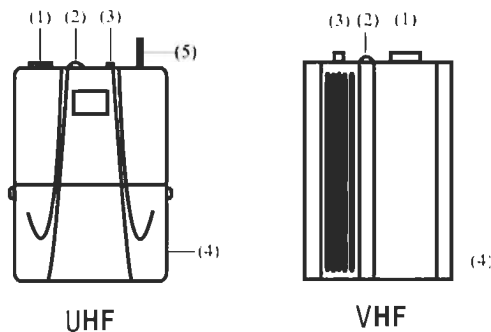
## PARTS DESCRIPTION

### 3. HANDHELD MICROPHONE

- (1) Mesh
- (2) Power LED Indicator
- (3) Low Battery LED Indicator
- (4) Power Switch
- (5) Battery Compartment/Cover
- (6) Antenna



- (1) MIC-IN Jack
- (2) Power LED Indicator
- (3) Power Switch
- (4) Battery Compartment/Cover
- (5) Antenna



## FEATURES

### FEATURES

#### PWMA900 500W VHF Wireless Battery Powered PA System

- Unit Powered by Internal Rechargeable Battery Pack
- 3 Mic (1/4") & 1 Stereo RCA Audio Inputs
- 1/4" Line Out
- Tone & Individual Channel Volume Controls
- Voice Priority Switch
- 4 ohm External Speaker Output
- Battery Charge, Low Batt & Power LED Indicators
- Dynamic Wireless Mic w/ 3 Position Power Switch & LED
- Dynamic Wired Microphone also Included
- Operation range: 150 ft.
- 2 x 8" Woofers and 2.5" Compression Tweeter
- 250W RMS, 500W Peak Power
- Unit Battery Life: Approx. 6 Hours

- Mic Battery Life: Approx. 13 Hours
- Ported Enclosure for Increased Bass Response
- Telescoping Handle & Caster Wheels
- Integrated 35mm Speaker Stand Mount
- Operating Frequency: 170-210 MHz
- 110/220 Voltage Switch able
- Dimensions: 12"W x 11.6"D x 20"H
- Weight: 55 lbs.

### **PWMA920CS 500W UHF Wireless Battery Powered PA System w/ Cassette**

- Unit Powered by Internal Rechargeable Battery Pack
- Cassette Player with Record (Great for Lectures)
- 3 Mic (1/4") & 1 Stereo RCA Audio Inputs
- 1/4" Line Out
- Tone & Individual Channel Volume Controls
- Voice Priority Switch
- 4 ohm External Speaker Output
- Battery Charge, Low Batt & Power LED Indicators
- Dynamic Wireless Mic w/ 3 Position Power Switch & LED
- Dynamic Wired Microphone also Included
- Operation range: 300 ft.
- 2 x 8" Woofers and 2.5" Compression Tweeter
- 250W RMS, 500W Peak Power
- Unit Battery Life: Approx. 6 Hours
- Mic Battery Life: Approx. 13 Hours
- Ported Enclosure for Increased Bass Response
- Telescoping Handle & Caster Wheels
- Integrated 35mm Speaker Stand Mount
- Operating Frequency: UHF 400-500 MHz
- 110/220 Voltage Switch able
- Dimensions: 12"W x 11.6"D x 20"H
- Weight: 55 lbs.

### **PWMA930CD 500W UHF Wireless Battery Powered PA System w/ CD**

- Unit Powered by Internal Rechargeable Battery Pack
- Full Featured CD Player
- 3 Mic (1/4") & 1 Stereo RCA Audio Inputs
- 1/4" Line Out
- Tone & Individual Channel Volume Controls
- Voice Priority Switch

- 4 ohm External Speaker Output
- Battery Charge, Low Batt & Power LED Indicators
- Dynamic Wireless Mic w/ 3 Position Power Switch & LED
- Dynamic Wired Microphone also Included
- Operation range: 300 ft.
- 2 x 8" Woofers and 2.5" Compression Tweeter
- 250W RMS, 500W Peak Power
- Unit Battery Life: Approx. 6 Hours
- Mic Battery Life: Approx. 13 Hours
- Ported Enclosure for Increased Bass Response
- Telescoping Handle & Caster Wheels
- Integrated 35mm Speaker Stand Mount
- Operating Frequency: UHF 400-500 MHz
- 110/220 Voltage Switch able
- Dimensions: 12"W x 11.6"D x 20"H
- Weight: 55 lbs.

#### **PWMA950CSD 500W UHF Wireless Battery Powered PA System w/ Cassette & CD**

- Unit Powered by Internal Rechargeable Battery Pack
- Full Featured CD Player
- Cassette Player with Record (Great for Lectures)
- 3 Mic (1/4") & 1 Stereo RCA Audio Inputs
- 1/4" Line Out
- Tone & Individual Channel Volume Controls
- Voice Priority Switch
- 4 ohm External Speaker Output
- Battery Charge, Low Batt & Power LED Indicators
- Dynamic Wireless Mic w/ 3 Position Power Switch & LED
- Dynamic Wired Microphone also Included
- Operation range: 300 ft.
- 2 x 8" Woofers and 2.5" Compression Tweeter
- 250W RMS, 500W Peak Power
- Unit Battery Life: Approx. 6 Hours
- Mic Battery Life: Approx. 13 Hours
- Ported Enclosure for Increased Bass Response
- Telescoping Handle & Caster Wheels
- Integrated 35mm Speaker Stand Mount
- Operating Frequency: UHF 400-500 MHz
- 110/220 Voltage Switch able
- Dimensions: 12"W x 11.6"D x 20"H
- Weight: 55 lbs.

## SPECIFICATIONS

### WIRELESS SPECIFICATIONS

#### General

1. Frequency Range: VHF 205.6~211.7 MHz or UHF 400~480MHz
2. Frequency Stability:  $\pm 0.005\%$  quartz oscillation controlled with temperature stabilizer
3. Modulation (Max):  $\pm 20\text{KHz}$
4. Frequency Response: 50Hz~18KHz  $\pm 3\text{dB}$
5. Hum& Noise: 100dB  $\pm 3\text{dB}$  (RF=1 mV)
6. Dynamic Range: min 100dB
7. Distortion: less than 0.5%(at 5W)
8. Built-in Rechargeable Battery: 12V 5A\*2

#### Wireless microphone Features and Specifications

1. Antenna: built-in with noise terminator circuit (handheld Microphone) external antenna (body pack transmitter)
2. Battery: DC9V/3V
3. Current Consumption: 20mA
4. Power Output: 20mW
5. Spurious Emission: 45dB min

#### Wireless Receiver Features and Specifications

1. Quartz controlled fixed frequency receiving mode
2. Sensitivity: 10dB/uV (S/N 60dB)
3. Image and Spurious Rejection: min 80dB
4. Output: unbalanced 250mV 600  $\Omega$
5. Receiver System: single channel
6. Input Signal: wired, wireless MIC, Audio-in
7. Output Signal: recording signal, line out
8. Power Output: 100W(Max)
9. Power Source: AC 110V/220V or DC 24V
10. Current Consumption: max 4A

### USER'S GUIDE

#### **Handheld Microphone Instruction**

1. Open battery cover, and then insert 9V battery. (Pay attention to the positive and negative pole).
2. Close battery cover.
3. Turn on VHF microphone power switch, LED indicator will flash once then off (with power saving function design). For UHF microphone, Power LED indicator will light, low battery indicator will flash once then off.
4. That means wireless microphone is in normal condition for use.
5. When LED Indicator lights red, it indicates battery power is low. Change battery for continuous use.

#### **Body Pack Transmitter Instruction**

1. Open battery cover (4), then insert 9V battery( pay attention to the positive and negative pole).
2. Turn on power switch (3), power LED Indicator (2) will flash once then off (with power saving function design). When power LED Indicator (2) lights red, it indicates low battery. Please change battery for continuous use.
3. Insert attached headset MIC or lavalier MIC into MIC-IN jack (1).
4. Now body pack transmitter can work normally.

**Notes:** When using body pack transmitter, please extend the cord of headset MIC or lavalier MIC for battery receiving effect.

### Main Unit Instruction

This unit may use AC power or built-in DC power.

**Caution: Please charge battery once a month if no in use, to avoid battery power too low.**

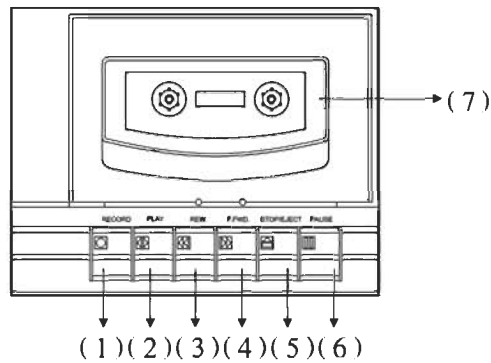
1. (A) When use AC power, please insert AC cord to AC plug (4) and press down power switch (6), power light will be light up to green color.
2. Turn on handheld microphone or body transmitter power switch; Indicator (25) will light.
3. Adjust volume control (24) on control board.
4. If wired microphone is used, insert wired microphone into MIC 2 (23) or MIC 3 (21) or MIC 4 (19) jack, adjust volume control (22) or (20) or (17) to reach appropriate volume.
5. If external amplify external is used, insert one end of output connector into LINE OUT jack (18), another end to external amplifier.
6. To amplify external sound source, insert cable connector into Audio in (15). Volume can be adjusted by Audio (13).
7. For use with external speaker, insert cable connector into EXT speaker (1)
8. Voice Priority switch (8), voice priority LED indicator (7) will light. When using microphone, music will be cut off automatically. Stop using microphone; music will start again.
9. Priority Mode: When Priority mode switch (10) press down and talk to microphone, background music will turn to soft, and music return to normal within 3 seconds after stop talk to microphone.
10. 110V/230V switch (3)
11. DC on (18V DC input) (2)
12. Battery charge light (11): when AC cord plugged into AC plug (4) and start charging, light turn to orange color, until battery full, then machine will auto stop charging and light become green color.

#### Note:

1. To use built-in rechargeable battery, change the battery before operation. Plug in AC cord, recharging starts. Recharging time is about 10 hours.
2. If this system is not going to be used for a long period of tome, recharge the battery at least once a month. Pull out power plug and turn power switch to OFF position.

## USER'S GUIDE

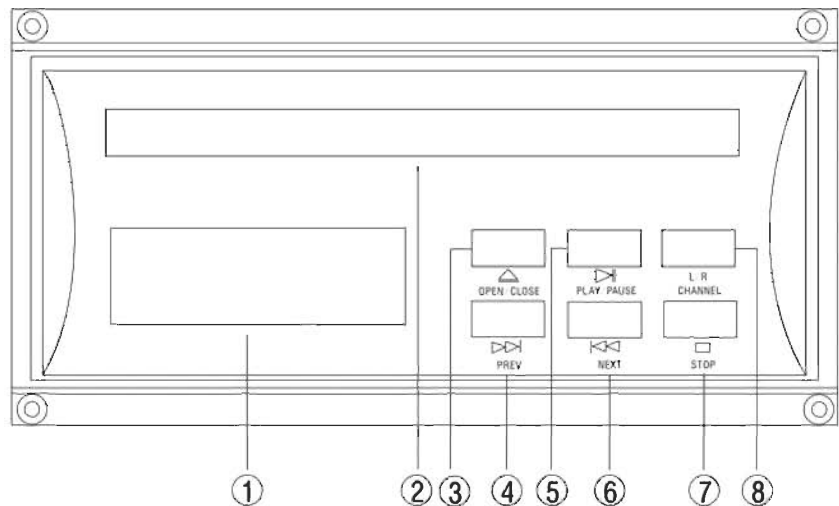
### CASSETTE RECORDER & PLAYER (only for PWMA920CS&PWMA950CSD)



- |            |                  |                |                   |
|------------|------------------|----------------|-------------------|
| (1) Record | (3) Rewind       | (5) Stop/Eject | (7) Cassette Deck |
| (2) Play   | (4) Fast Forward | (6) Pause      |                   |

### DVD PLAYER (only for PWMA950CSD)

1. DVD LCD display panel
2. DVD room
3. DVD IN/OUT Button
4. Uper Button
5. Play Button
6. Next Button
7. Stop Button
8. DVD Channel Sound Switch



### BASIC PLAY:

**EJECT:** Press the POWR key to put through the power supply. Press the EJECT key to open the disc open the disc room, put in the disc, and press the EJECT key again to close the DVD room. When the DVD amplifier finishes reading the disc, it will display the disc type on the TV screen and auto-play.

**PEOG key:** Press the PROG key and the TV screen displays the program menu. Then you can use the number keys and the direction keys to adjust the play order of the songs in the disc.

**System Type Key:** According to the system type of your TV, use the system type key to adjust the output system type.

**SUBTITLE key:** Press the SUBTITLE key, you can choose one kind of subtitle display from your disc. (Your DVD disc must support this function.)

**LANGUAGE key:** Use the LANGUAGE key to choose the language you need when playing multi-language disc.

**ANGEL key:** If your DVD disc includes multi-scene taking, you can use the ANGEL key to change from one angle to another.

**ZOOM Key:** With the Zoom key, you can magnify or zoom the picture. You can use the direction keys to change the position of the picture in the status of magnifying.

**Sound Channel key:** When you are playing multi-channel VCD or CD, you can use the sound channel key to choose output from the left sound channel or the right sound channel and select stereo or mixed sound output.

**SLOW key:** With the SLOW key, you can watch the slow down motion pictures in the process of disc playing. But the DVD player mutes when you press the SLOW key.

**STEP key:** Press the STEP key, the DVD player plays step by step. Press the PLAY key to return back to normal play mode.

**A-B key:** When playing DVD, VCD, CD, you can use the A-B key to watch any part in the discs. When the DVD player is playing a disc, you can press the A-B key to choose the start point (meaned by Point A) of the part you want to repeat and press the A-B key again to choose the end point (meaned by Point B). Then the DVD player repeats the part between A and B. Press the A-B key for the third time, you can cancel the preset part repeat and return back to normal play.

**REPEAT key:** With the REPEAT key, you can repeat to play any title, paragraph, song or the entire disc.

**TITLE key:** When the DVD player is playing DVD disc, use the TITLE key to return to the first class title to play.

**MENU key:** When the DVD player is playing DVD disc, press the MENU key to change to subordinate menu, and press the MENU key again to return to the main menu.

**PSCAN/NORMAL key:** With the PSCAN/NORMAL key, you can adjust the video output mode in cycle.

**VIDEO MODE key:** With this key, you can adjust the brightness, contrast and hue of the state of your TV screen.

The DVD player provides four states: memory, standard, dynamic and soft.

**SRANDBY key:** With the STANDBY key you can control the power switch of the DVD player.

## IMPORTANT SAFEGUARDS

### ! CAUTION

1. Do not open this product by yourself for adjustment.
2. If water goes into this product, please turn off the power immediately and send it to after-sale service department of our company for handling.
3. One receiver cannot receive signal from two same frequency microphones simultaneously. Other microphone with different frequency or brand cannot be used for this receiver.

### ! WARNING RISK OF HUMAN HEAVY INJURY OR DEATH IF USE IMPROPERLY

#### During Operation

To reduce the risk of fire or electric shock, do not remove the cover. High voltage parts inside. Submit this equipment to our dealer for examination, adjustment and repair.



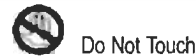
Do not put vessel of liquid or small metal parts on the top of this equipment.



To reduce the risk of fire or electric shock, do not let metal or flammable parts drop into this equipment.



To reduce the risk of shock, do not touch power outlet when it thunders.



### ! CAUTION RISK OF HUMAN HEAVY INJURY OR GOODS DAMAGE IF USE IMPROPERLY

#### During Setup and Installation

To reduce the risk of electric shock, do not pull power plug with wet hands.



To reduce the risk of fire or electric shock from damaged power cord, do not pull power cord when pull out the power plug. Always grasp the plug tightly then pull it out.



To reduce the risk of fire or electric shock from damaged power cord, do not move this equipment when the AC power plug is still on.



To reduce the risk of fire or electric shock, do not expose this equipment to moisture, dust and sun. Keep away from hot apparatus or place with oil, smoke and water.



## IMPORTANT SAFEGUARDS

To prevent hurt from heavy article dropping, do not put heavy article on the top of this equipment.



### ! CAUTION RISK OF HUMAN HEAVY INJURY OR GOODS DAMAGE IF USE IMPROPERLY

#### During Operation

Clear the dust inside regularly.  
Accumulated dust inside for a long period of time is apt to cause fire.  
Contact our dealer for inside dust cleaning.



Keep power plug and outlet clean.  
Power plug and outlet with accumulated dust is apt to cause fire, clean them regularly.  
Insert power plug into power outlet entirely.



To reduce the risk of fire or electric shock, turn off the power and pull out the plug for safety if this equipment will not be used for a long period of time after set-up.



### ! WARNING RISK OF HUMAN HEAVY INJURY OR DEATH IF USE IMPROPERLY

#### During Setup and Installation

To reduce the risk of fire or electric shock, do not put this equipment into water or make it wet.



To reduce the risk of electric shock, use only the specified power voltage.



To reduce the risk of fire or electric shock, do not damage the power cord or place it close to hot apparatus. Do not put heavy article on the cord.



To prevent damage from dropping or inclining, do not put equipment on shaking, inclining etc. unstable place.



#### During Operation

To reduce the risk of fire or electric shock caused by continued use when abnormality occurs, please pull out power plug and contact our dealer when the following happens:

1. When smoke comes out from this equipment and peculiar smell can be smelt.
2. Water or other article goes into this equipment.
3. Drop on the ground and cover is damaged.
4. Power cord damaged (core comes out or cord is broken).
5. No sound output.



We reserved right to change feature or specification due to improvement without prior notice.

## Limited Warranty

All **PYLE PRO** products are carefully constructed and tested before shipment. Units purchased in the USA are warranted to be free of defects in material and workmanship for one (1) year from the date of purchase. This warranty is limited to be original retail purchaser of the amplifier.

Should the unit fail due to factory defects in material or workmanship, your unit will be repaired or replaced at the sole discretion of PYLE.

To obtain warranty service, you must first call our Consumer Return Hotline at (718) 236-6948 to obtain a Return Authorization Number. This R.A. # must appear on the outside of your package and on all paperwork relating to your return.

When returning the unit to us for warranty service, it must be carefully packed and shipped, prepaid, to:



R.A.#: \_\_\_\_\_  
PYLE PRO Service Center  
1600 63rd Street  
Brooklyn, NY 11204

You must also include the following items with your return:

- . A copy of your sales receipt or other proof of purchase
- . A brief letter, indicating the problem you are experiencing with the product
- . Include in your letter your return address, daytime phone number and R.A. number
- . Also including a check or money order for \$30.00 for return shipping, handling and insurance, or provide your Visa/MC number with expiration date.

Our obligation under this warranty is limited to the repair or replacement of the defective unit when it is returned to us prepaid. This warranty will be considered void if the unit was tampered with, improperly serviced or subject to misuse, neglect or accidental damage.