

PYLE



BLUE LABEL

RED LABEL

PLW10BL

PLW10RD

PLW12BL

PLW12RD

SPECIFICATIONS



www.pyleaudio.com

About Pyle Blue (Red) Label Woofer

Congratulations! You have purchased one of our high quality Pyle woofer. Blue (Red) Label Series Woofer are not only in unique design, but also could deliver consistent and high performance.

We do confident that Blue (Red) Label Series Woofer will bring you many hours of enjoyment over the years.

The General Features Pyle Woofers Include:

BLUE LABEL

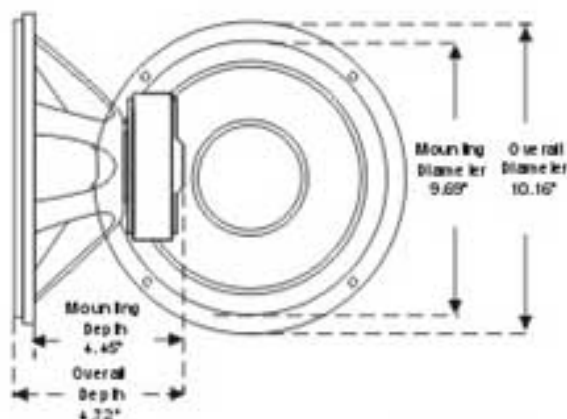
- Blue CD Wave Electro-plated Polypropylene Cone
- Wide Butyl Rubber Surround With New Pattern
- Blue Steel Basket
- Bumped & Vented Extended Pole Piece
- High Temperature Kapton Polyamide Voice Coils
- 4 Ohm Impedance

RED LABEL

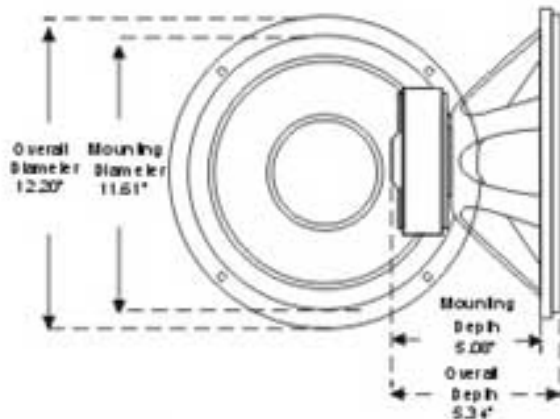
- Red CD Wave Electro-plated Polypropylene Cone
- Wide Butyl Rubber Surround With New Pattern
- Red Steel Basket
- Bumped & Vented Extended Pole Piece
- High Temperature Kapton Polyamide Voice Coils
- 4 Ohm Impedance

BLUE LABEL

PLW10BL

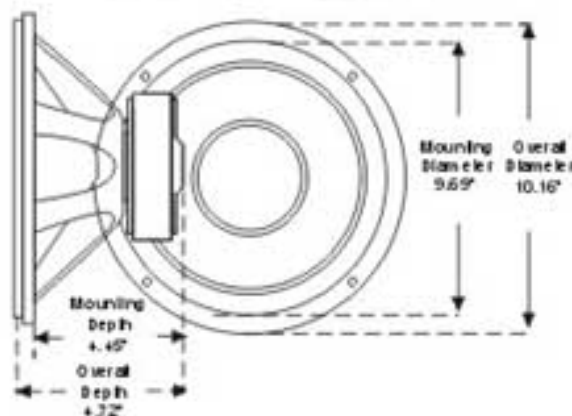


PLW12BL

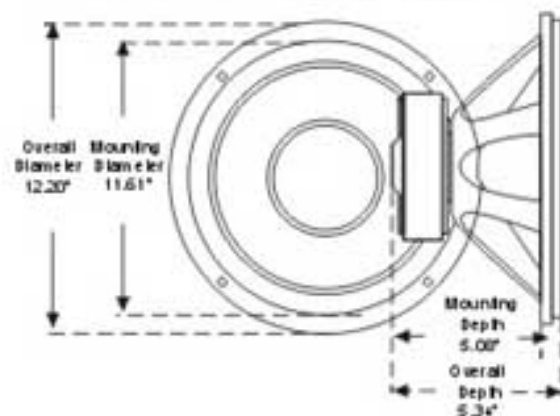


RED LABEL

PLW10RD



PLW12RD



Specification	PLW10BL	PLW12BL	PLW10RD	PLW12RD
Steel Frame	Blue	Blue	Red	Red
Cone	Blue Electroplated	Blue Electroplated	Red Electroplated	Red Electroplated
Surround	Wide Rubber	Wide Rubber	Wide Rubber	Wide Rubber
Power (Watts Peak)	600	800	600	800
Nom. Impedance (Ohm)	4	4	4	4
Voice Coil	1.5" KSV	2" KSV	1.5" KSV	2" KSV
Magnet Structure	70 oz	90 oz	70 oz	90 oz
Fs (Hz)	35.9	26.2	35.9	26.2
Qms	5.72	5.81	5.72	5.81
Qes	0.83	0.90	0.83	0.90
Qts	0.73	0.78	0.73	0.78
SPL (dB)	86.7	85.5	86.7	85.5
Vas (cuft)	1.932	4.146	1.932	4.146

Pyle - Blue (Red) Label - Series continually strives to improve the performance and value of its products
all specifications are subject to change.

MANUFACTURER'S LIMITED FIVE YEAR WARRANTY

PYLE AUDIO CORP. warrants this unit to be free from defective material or workmanship and will repair or replace this unit or any part thereof if it proves defective in normal use or service within five (5) years from the date of original purchase.

Our obligation under this warranty is limited to the repairing or replacing, at our discretion, the defective instrument or any part thereof when it is returned, transportation prepaid to the Pyle Service Center at the address below. This warranty will be considered void if the unit has been tampered with, improperly serviced, subjected to abuse or misuse or if installed in a commercial vehicle. This warranty does not cover accidental damage. When returning this unit for service, please include \$10.00 for return postage and handling. Send your unit to:

PYLE SERVICE CENTER
1600-63rd Street
Brooklyn, New York 11204 USA

IMPORTANT: Pack carefully in original carton if possible. We are not responsible for damage incurred in returning items for repair. A letter stating your exact street address, daytime phone number and the problem you are experiencing should be included. You must also enclose a copy of the original receipt as proof of date of purchase.

Register Online @ www.pyleaudio.com