

User's Manual

PYLE[®]
PyleUSA.com



PLDNAND465

Android Stereo Receiver & Dual Camera System

HD DVR Dash Cam, Rearview Backup Camera, 6.5" Touchscreen Display, Wi-Fi Web Browsing, App Download, GPS Navigation, Bluetooth Streaming, HD 1080p Support, Double DIN

Note: This unit is based on Android 4.4.4 platform. Besides the standard Apps we provided with the unit, you can also download thousands of Apps and install it on our platform. Please kindly note NOT all Apps are compatible with this platform. If you have any compatibility problem with a 3rd party App, please contact your App provider. For the operation instruction of a certain 3rd party App, please also contact your App provider. We are not responsible for any problem with your 3rd party Apps.

To enjoy the unit's features, along with proper and safe operation, please be sure to read through this manual before use. It is especially important to thoroughly understand and follow all system warnings and precautions. Keep the manual in a safe location for future reference when necessary. Contact your dealer or the nearest authorized repair center for any service, repair or technical support assistance.

Contents	
Precautions	2
Installation Guide	3
Installing Steering Wheel Control	4
Front Panel and Buttons	5
Turning Power On	5
Graphics User Interface	6
Settings	7
Set Time	7
Sound	7
Aux	7
Calendar	8
Calculator	8
EQ	8
Radio	9
SD	9
USB	9
Video	9
Wallpaper	9
Third Party Apps	10
Trouble Shooting	10
Wiring	12
Bluetooth	14
How to access internet	15
Vehicle Blackbox DVR	15
Installation	17
Phone Link Software	21

Note: Pyle Audio is constantly aiming to improve the customer experience and your receiver's features and specifications are continually changing for the better, with improvements to the user interface experience, software updates, bug fixes, etc. System descriptions and features reflected as herein stated by this user manual serves to express the Pyle Audio Headunit Receiver features at the current production period. We reserve the right to change terms and conditions of system specifications, features and descriptions at any time, as we continue to improve and provide our customers with upgrades in safety, performance and system operation in general. For questions, comments and concerns, visit www.Pyleusa.com for more information.

COMPATIBILITY

This unit is a standard "Double Din" sized radio. Check to see that your vehicle accepts a double din sized radio. This unit conforms to the standard size and dimensions of a double din radio. Your vehicle may require a vehicle specific or 3rd. party double din installation kit.

PRECAUTIONS & WARNINGS

Please take a moment to read through this information booklet and heed all precautions to ensure a positive user experience. For your safety, you must not operate the head unit's controls while driving. Make sure you have the volume set to a level where external sounds are still audible.

Do not watch the monitor, or attempt to operate any of the multi media features while driving. If the parking brake is not engaged video playback will be disabled for your safety.

CLEANING

Clean the LCD with as slightly damp cloth. Keep the screen clean and free of any debris. Do not use solvents such as alcohol, benzene, thinner, commercially available cleaners or anti static spray. When wiping the screen be sure not to scratch the surface.

TEMPERATURE

In cold weather, check for condensation on the disc. If found, wipe the moisture from the disc and do not operate your player for an hour until condensation disappears from the unit's optical reader.

SYSTEM HANDLING

Screen may not be clear if the temperature of the vehicle is too cold or too hot. The picture will return as the car's temperature returns to normal. Never touch the screen, or operate the touch screen, with anything besides your finger(s). When the display is subject to direct sunlight and glare, the unit may become hot resulting in possible damage to the LCD display. Avoid exposing the display to excessive sunlight as much as possible.

Note:

Driving on rough terrain may cause the disc to skip during playback.

In the event of a malfunction, never open the unit's casing or lubricate any parts. Contact Sound Around USA for repair information. If liquid or any other foreign substances enter the unit, turn the power off immediately and consult your dealer or the nearest authorized repair center. If you notice smoke, irregular noises or smells coming from the unit, power off immediately and consult your dealer or the nearest authorized repair center. Do not attempt to disassemble or modify the unit as there are sensitive and high voltage electronic components which can cause damage to the unit, or to one's self, if handled improperly. Be sure to consult your dealer or the nearest authorized repair center for any technical assistance.

This equipment has been tested and found to comply with the limits of a Class B digital device, pursuant to Part 15 of the FCC rules and regulations. These limits are designed to provide reasonable protection against any harmful interference in a residential installation. This equipment generates, uses, and can radiate radio frequency energy. If not installed and used in accordance with the instructions, the unit may cause harmful interference to radio communications. If the unit is found to cause harmful interference the user is encouraged to consult an experienced radio technician.

SYSTEM INSTALLATION:

Before starting: To prevent short circuits, be sure to disconnect the battery terminal before starting.

Installation Guide - Double Din Fitting:

Caution:

1. This screen opens up. Install the unit within 30 degrees of the horizontal plane. Check that the screen has enough room to fully open. Restricting screen movement will cause damage to the mechanism.
2. Consult your vehicle dealership before making any modifications to your car's body (ex. Drilling holes)
3. Use included screws in installation. Improper hardware may result in damage.

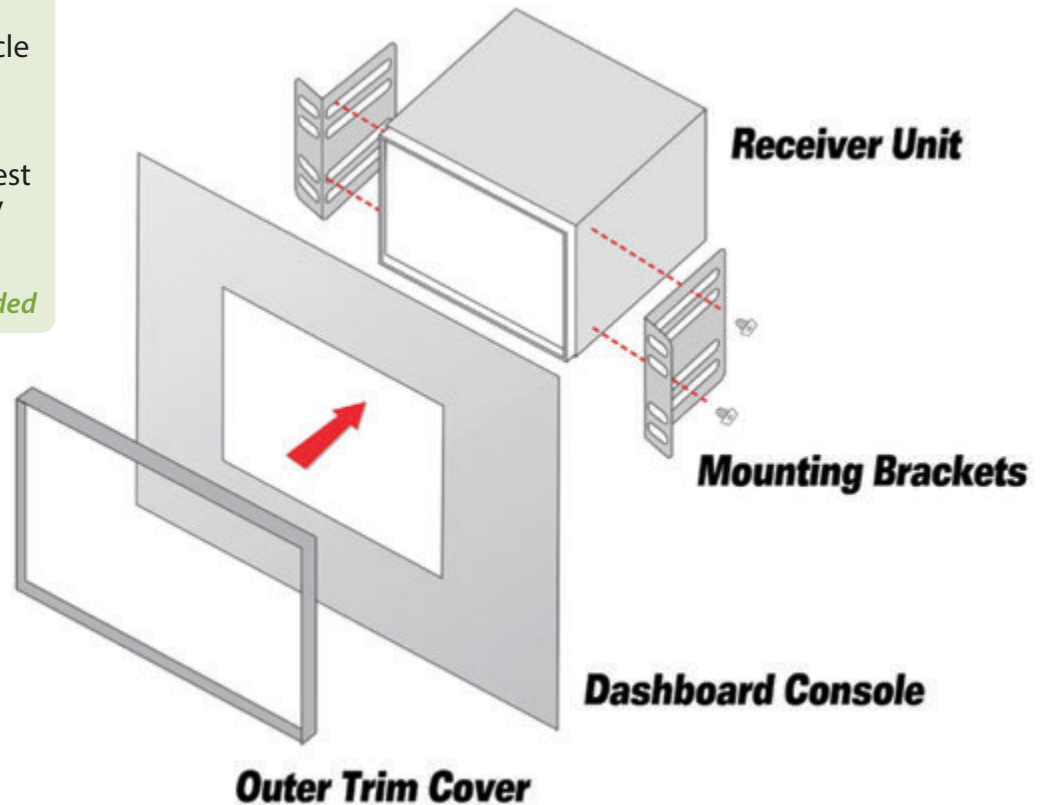
Do not install unit in any area where:

- It may obstruct the steering wheel and gearshift lever operations
- It may obstruct the operation of safety devices such as air bags
- It may obstruct visibility

Installation kits:

- This unit conforms to the standard size and dimensions of a double din radio.
- Your vehicle may require a vehicle specific or 3 party double din installation kit.
- Consult your dealer or the nearest authorized repair center for any technical assistance.

**Mounting Sleeve Bracket not included*



INSTALLING STEERING WHEEL CONTROL

Note on Compatibility: This unit is a dual wire code learning Steering wheel interface, adaptable to any vehicle with existing steering wheel controls. This unit has the ability to wire directly to your vehicle's steering wheel column and does not, but may, require a 3 party steering wheel control interface. Pyle Audio Technical support can assist you in interfacing into vehicles with existing steering wheel controls. For additional help, contact Pyle Technical Support and be sure to supply Year Make Model and options of vehicle so that proper instructions can be supplied.

Key 1 and Key 2 wires are used for setting up steering wheel controls. The location of the attachment wires in the steering wheel column varies between different vehicle make and models.

Steering Wheel Controls

Select the command in the application, then press the corresponding button on the wheel to teach the unit how to behave when steering wheel controls are used. To enter the steering wheel menu it will prompt you for a 4 digit pass code you will need to enter '0000'. Then you can manually program each desired option following the on screen instructions. (Note: This feature is not compatible with all vehicle types).

FRONT PANEL AND BUTTONS



Button & Feature Layout

	Hold to open screen and eject disk.
	Return
	Switch between apps/radio interface, Press while in GPS interface to return to radio apps
	Volume up
	Volume down
	Hold to power up
RST	Use a pin to insert into reset port to trigger unit reset. (Hold for 20 secs . to reset)

Tips: Navi---You might have several maps in this device, by pressing Navi button, you will enter into the map which you set as default in the Navi path, if you want to change the navi path to another map, please go to setting to change it.

Setting → **Car setting** → **Navi setting.**

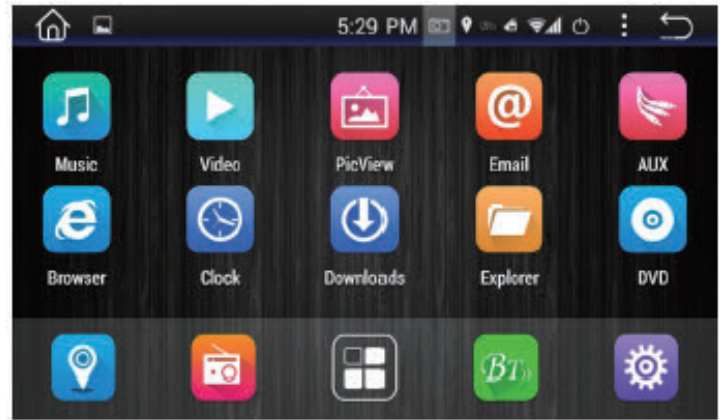
TURNING POWER ON

1. Turn on the engine key to the "ACC" or "ON" position
 2. Press and hold the power button for 3 seconds
 - When the engine key is turned to the off position the unit is turned off
- Status Bar (Along top of radio screen and app screen) you can swipe down for more.








	Home		Wifi signal
	Time display		3G
	Screen shot		Display On/Off
	Location		Function set
	Bluetooth		Return
	DVR		

APP SCREEN-INTERFACE LAYOUT



Swipe left/right to access more apps

	Navigation
	Radio
	All Apps list
	BT
	Settings

Navi	Loads Navigation software (if you have several maps in this device, you can set the default map. Setting → Car setting → Navi setting.)
Radio	AM/FM Tuner
Bluetooth	Bluetooth
AUX	Auxiliary Audio Video Input
DVD	DVD / Multi-media Disc Player
DVR	DVR
Clock	Shortcut to Time Setting
Calculator	Opens Calendar app
Clear cache	Clear Cache
Easy connected	Phone Link

***Please Note: GPS** - Navigation and CD/DVD options and applications may only be found in select head unit receiver stereo systems, which include these, and other, additional/special features -- not all Pyle stereo models come equipped with GPS Navigation and/or CD/DVD players. Visit www.PyleUSA.com for more detailed information and more product specific information.

SETTINGS

1. Scrolling

Use the red bar to scroll through the list of all available options.

2. Turn on/off

Many settings can be toggled on or off in this screen

***Note:** Factory setup is not adjustable by user. Do not attempt to enter this setup menu.

SET TIME

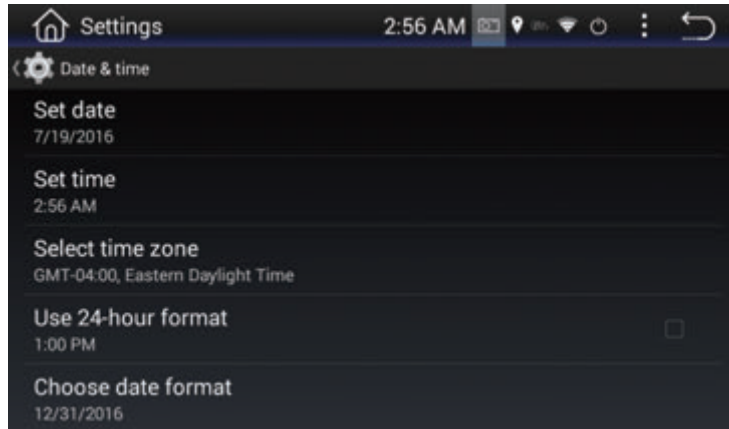
1. Time Options

You can select using GPS to provide positioning time or using net work-provided time.

2. Date and Time

Use the up and down arrows to set the date and time accordingly.

3. Select time zone accordingly.



SOUND

1. Fade/ Balance

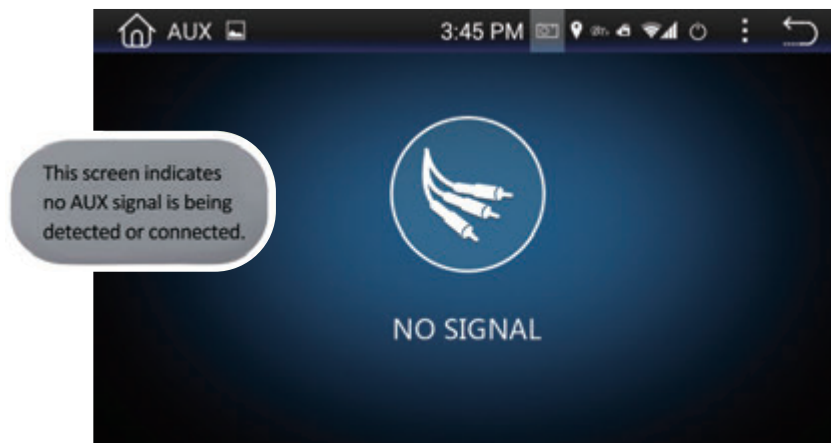
Hold and drag left, right up or down to control the fade and balance of your audio output.

AUX

Auxiliary input (rear RCA jacks) allow audio and video from external devices to be displayed or played through the unit. Auxiliary output (rear RCA jacks) allow audio and video to be sent out to external devices.

1. Customization – Use the settings to adjust and optimize the display quality.

Note: Auxiliary app will display “No Signal” if no video signal is connected. Screen controls will not become active until external video signal is detected.



**The Parking brake will need to be wired to a grounding trigger to allow video pass through or a warning message will appear saying warning video disabled while driving.*

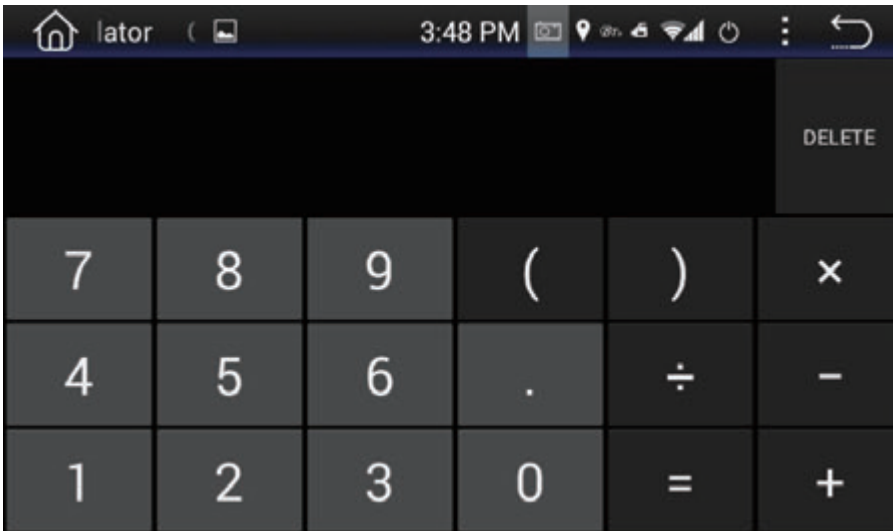
CALENDAR

- Displays the day, month and year.
- Use forward and back arrows the view past or future months.
- Selected dates are highlighted in blue

Note: Calendar does not allow entry of appointments. Date must be set within system settings

CALCULATOR

- A handy little app for simple calculations



EQ - EQUALIZER



Presets

Select one to automatically adjust the equalizer

Adjustments

Hold and drag up or down to manually adjust the EQ by each frequency band

RADIO

- 1. Scanning:** Press, hold, and drag the slider to quickly tune the radio.
- 2. Current Station:** The currently selected station will be displayed in the center. Press the forward and back arrows to change the current station.
- 3. Favorite Stations:** Press and hold one of the six preset slots to set and save a selection for later.



SD - FLASH MEMORY FILE BROWSING

Warning: Do not attempt to browse files while operating the vehicle

1. Browsing Files

- File location is displayed.
- Use "Back Arrow" to return to the previous folder

2. Selecting Files

- The files and folders of your storage media are displayed.
- Once the desired folder is located, select it and press "check icon" to open

USB - FLASH MEMORY FILE BROWSING

Plug in flash drives to access music video and photos.

VIDEO

1. Brightness, Contrast, Hue

- Press, hold and drag to adjust the brightness, contrast and hue of the display.

2) Presets

- Select to automatically adjust the display settings.

WALL PAPER

Note: Wallpapers can be imported from a flash drive or SD card. Check format sheet online for specs on formats.

1. Browse - Use left and right arrows to select the desired wallpaper
2. Select - Press OK to select the wallpaper

THIRD PARTY APPS

For the detailed operation instruction for a certain 3rd party App, such as Google map, Youtube etc., please contact your 3rd party App provider for further service. Thank you.

TROUBLE SHOOTING

Q: Unit doesn't power up

A: Use a multi-meter to check for 12v+ to red and yellow wires. Check for proper Ground on the Black wire.

Q: My video does not play

A: Attach "PARK" wire to parking break. When this wire is grounded the video will play (Grounding trigger of the parking brake)

Q: Reverse camera does not come up on the screen

A: Attach "BACK UP CAMERA" wire to reverse tail light 12v+ (Make sure camera is and sending video signal)

Q: Can I set up steering wheel control?

A: Key 1 and Key 2 wires need to be wired to your vehicle's steering wheel column

Q: The time I set is not saved after device reboot

A: Are other setting saved? If not: Check that yellow memory wire is attached to 12v+ constant

A: turn off GPS auto update

-Go to radio settings > Set Time > switch off auto update

Q: My GPS gets no reception.

A: Check antenna is connected properly

A: Mount Antenna directly to your vehicle (GPS antenna is to be magnetically mounted, it will boost GPS reception when attached)

A: Check alternate antenna placement to test for interference

Q: How do I turn up GPS instruction volume (I Can't hear it over music)

A: Change GPS sound settings

Go to Navi > Settings > Sounds > Set GPS voice level to max > Set radio volume to min (Adjust accordingly)

Q: How do I update my map card.

A: The radio will notify you when a map update becomes available. We will need to send out a new map card from our parts department. Log onto www.PyleUSA.com and open a parts ticket under "**Contact Us**" requesting the map update.

Q: Where can I download firmware updates?

A: www.PyleUSA.com

Q: How to I set the time?

A: System setting, set time

TROUBLE SHOOTING

Q: How do I use / set-up RDS?

A: (*Traffic and weather feature only available in Europe)

Q: My Bluetooth microphone is not working as expected

A: - Check that nothing is covering microphone port.

- Check to see if closer proximity to the mic affects its pickup
- Check that phone connection is good
- Make sure the call recipient has speaker volume set to an appropriate level
- Check that the mic is not picking up too much background noise

Note: The built-in mic cannot be changed, replaced or upgraded.

Q: I am having trouble setting up Bluetooth

A: Check that your device is Bluetooth compatible 4.0+

- Check if you are able to pair with alternate devices via Bluetooth
- Clear out your device history in your Bluetooth setting menu and attempt to pair / connect again

Q: My Map card no longer loads (COCKPIT ERROR DISPLAYED)

A: This is caused by bug in map software.

Please contact Tech Support: Pyle, go to www.PyleUSA.com the "contact us" page.

A: You may be able to fix the software on your own

- Insert GPS card into computer
- Open text file under Primo\save\profiles\01\system.ini
- Edit the file to return the cockpit type to "1"

* Deleting the profile folder will default the unit's settings back to cockpit number 1

Q: How do I play video files? My unit cannot read my digital video files.

A: Make sure SD card is compatible

A: Check file format of your file (You may need to convert your video file to an alternate file format)

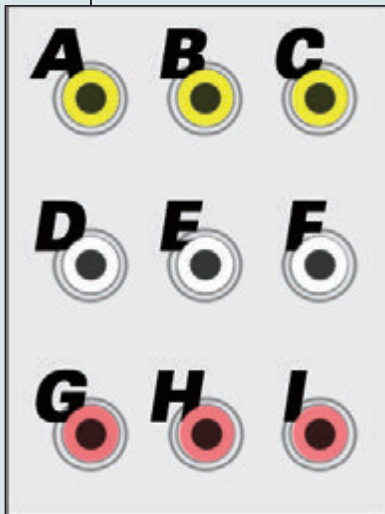
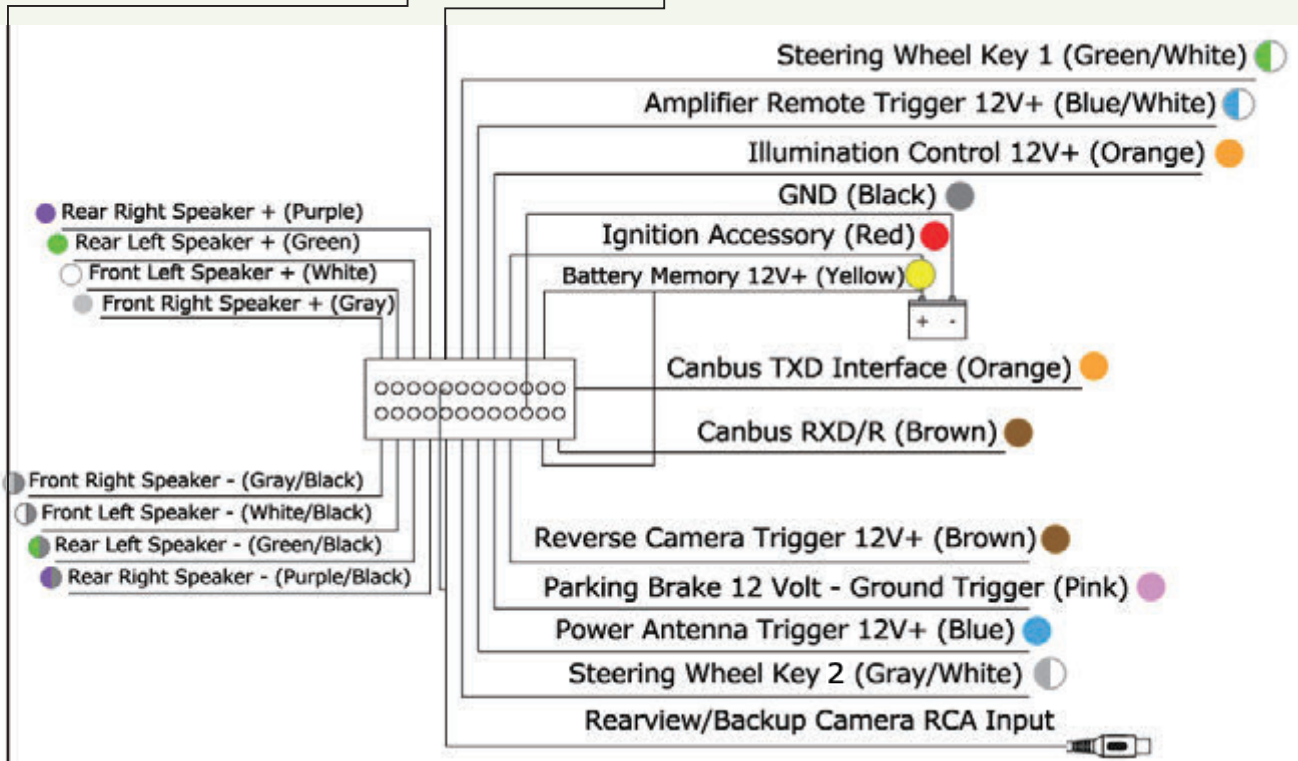
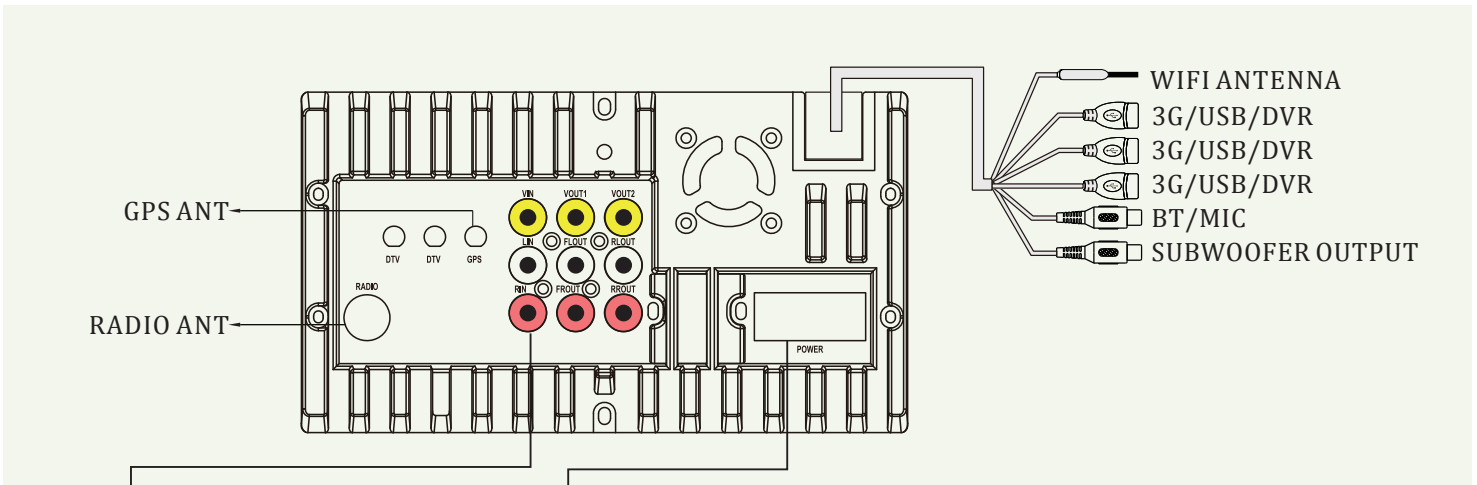
Q: My unit shows 5 circles and will not load

A: Your unit requires touchscreen calibration.

You have entered the 'Touch Screen Calibration Menu'. For optimum touchscreen performance, this feature enables you to enjoy the best functionality of your device's touch screen. To complete the touchscreen calibration, an "X" will appear in the circles on the screen in numbered order, continue to press the center of the "X" as it passes through each numbered circle.

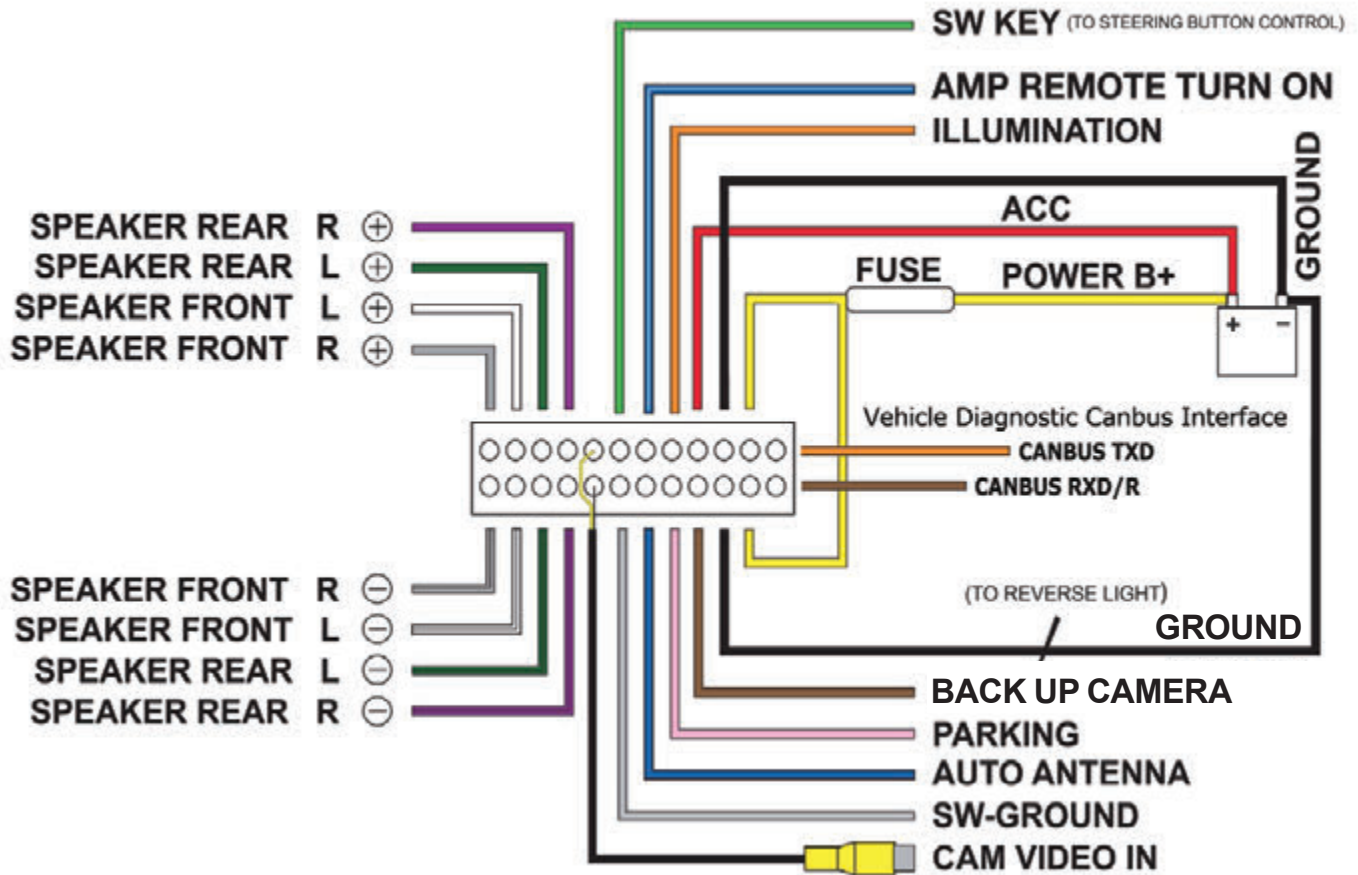
(In circle number one, you will see an "X", touch the center of the "X", then the "X" will move to circle number two. Continue to touch the center of the "X" as it will move to the other circles in numbered order. If calibration senses an error, the process may restart; Repeat if necessary.)

WIRING - BACK PANEL



- A. Video Input
- B. Video Output 1
- C. Video Output 2
- D. Left Audio Input
- E. Front Left Audio Output
- F. Rear Left Audio Output
- G. Right Audio Input
- H. Front Right Audio Output
- I. Rear Right Audio Output

WIRING - COLOR WIRING



Wiring

	Radio Antenna	Radio antenna receptacle		
	Subwoofer Output	Pre amp subwoofer output (5V)		
	Audio / Video Input	Auxiliary input for external hardware		
	Audio / Video Output 1	Connect to headrest display (Optional)		
	Audio / Video Output 2	Connect to headrest display (Optional)		
Green/White	SW KEY	Steering wheel control Key 1 interface wire		
Blue/White	AMP REMOTE TURN ON	DC 12 + Volt Remote turn on trigger for external amplifier		
Orange	ILLUMINATION	12 volt + trigger dash board illumination		
Brown	BACK UP CAMERA	12 volt + trigger from reverse lights		
Pink	PARKING	Connect to parking brake ground. Disables video play unless grounded		
Blue	AUTO ANTENNA	12 volt + trigger output		
Gray/White	SW-GROUND	Steering wheel control Key 2 interface wire		
Black (RCA)	CAM VIDEO IN	Camera RCA video input for use with rearview camera		
Red	ACC	Ignition Accessory 12V+		
Yellow	FUSE/ POWER B+	Connect to (+) side of car battery		
Black	GROUND	Connect to (-) side of car battery		
Orange	CANBUS INTERFACE	TXD - Vehicle Diagnostic CANBUS Interface		
Brown	CANBUS INTERFACE	RXD/R - Vehicle Diagnostic CANBUS Interface		
Purple	Speaker Rear R	Rear right speaker	Purple (+)	Purple/Black (-)
Green	Speaker Rear L	Rear left speaker	Green (+)	Green/Black (-)
Gray	Speaker Front R	Front right speaker	Gray (+)	Gray/Black (-)
White	Speaker Front L	Front left speaker	White (+)	White/Black (-)

*Brown wire tells the monitor when to activate and display rearview camera on the display (optional)

BLUETOOTH

Bluetooth app allows Bluetooth pairing with compatible devices for making calls and music playback. To pair your phone, ensure Bluetooth is enabled in your phone's system settings and that you are disconnected from all other devices.

In the Bluetooth app of your radio, press the "Gear" icon in the left column to access Bluetooth settings. Next, press the "Magnifying glass" icon to set the radio into pair mode. The radio will then display "searching" and show all nearby compatible Bluetooth devices:

- Select your phone from the list, and tap a second time to initiate pairing.
- Your phone should now display a pin pad where you will enter "0000"
- Check that device named "CAR_KITT" shows as connected on your phone.

Note: Once your phone is paired, you can use the other functions within the radio's Bluetooth app.

Left hand column:

- Select the "Keypad" icon to dial out using the radio's number pad
- Select the "address book" icon to display your phone's contact list. You will need to import your contact list using the "**download**" icon located in the right column of the Bluetooth app.
- Select the "phone" icon to see a log of incoming and outgoing calls
- Select the "gear" icon for phone pairing and selection options
- Select the "headphones" icon for music playback controls

Right hand column:

- "Trash" delete currently selected entry
- "Download" Use to download contact data to address book
- "Speaker selection" Switch between car speaker/mic and phone speaker/mic
- "i" Press this function icon for search/disconnect/connect/delete



HOW TO ACCESS INTERNET

How to access internet?

You have three ways to access internet.

1. Use a 3G dongle

Insert USB type 3G dongle to one of the rear USB port, wait for few seconds, then 3G signal icon will be shown on status bar, and you can access internet now.

2. Use your smartphone as hotspot



Please turn on your smartphone hotspot, then go to this car Android unit and turn on wifi, find out your smartphone hotspot and connect it, now you can access internet.

3. Use car wifi router or any other portable wifi router


You can also use car wifi router or any other portable wifi router as a hotspot for internet access.

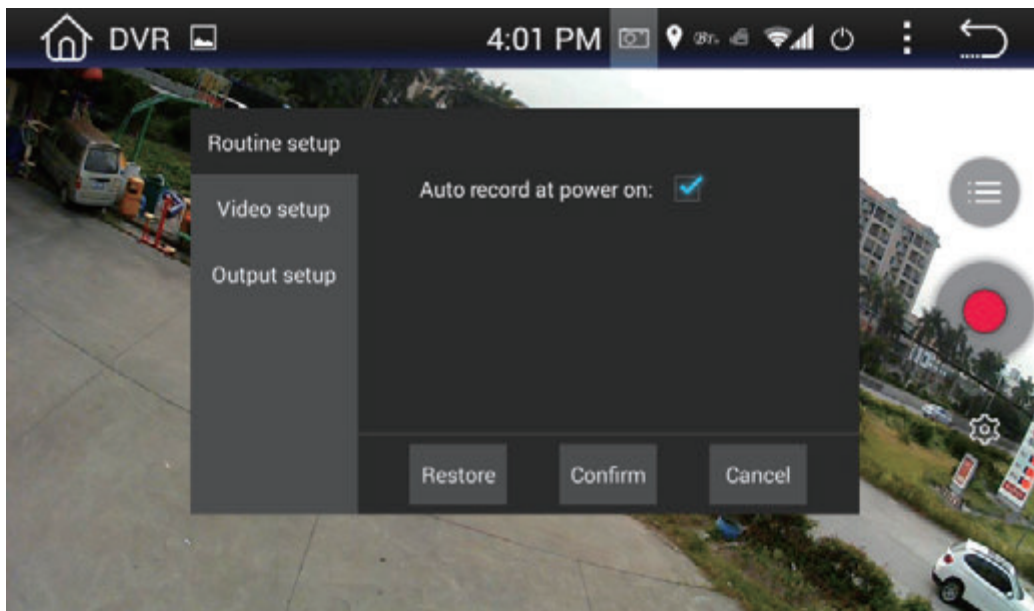
VEHICLE BLACKBOX DVR

Video Recording

1. Press  to start recording;  shows when recording.
2. When recording, the upper left corner of the screen shows video recorded time.

Setting

1. Press  to enter DVR setting interface.
2. Setting interface is unavailable while recording.



Routine Setup

Recording mode: Record video only.

Auto record at power on: If checked, it will automatically start recording after power on.

Video Setup

Resolution: Video resolution, effective pixels on the horizontal and vertical.

Rate: Video bit rate. Bit rate refers to the data low per second. The higher the bit rate, the inner the description of the picture, the less loss of picture quality, the closer of the resulting picture to the original one.

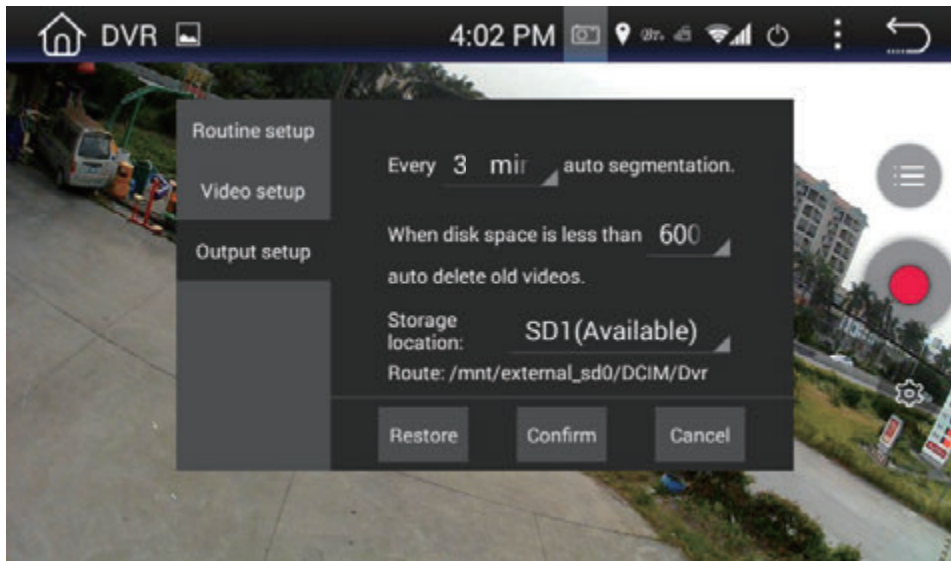
Output Setup

Auto Segmentation: The video file recorded should not be too large, otherwise it will increase memory consumption when opening file which may cause playback failure. When you choose high-resolution, the video file recorded will be larger, so it may be appropriate to shorten the split time.

Auto Delete Old Video: When there is not enough free space in the storage, it will automatically delete the oldest recorded video to clear space for newly recorded video.

Storage Location: The location to store video files.


Path: External memory/DCIM/Dvr. When no external memory inserted, 'Not available' prompt will appear.



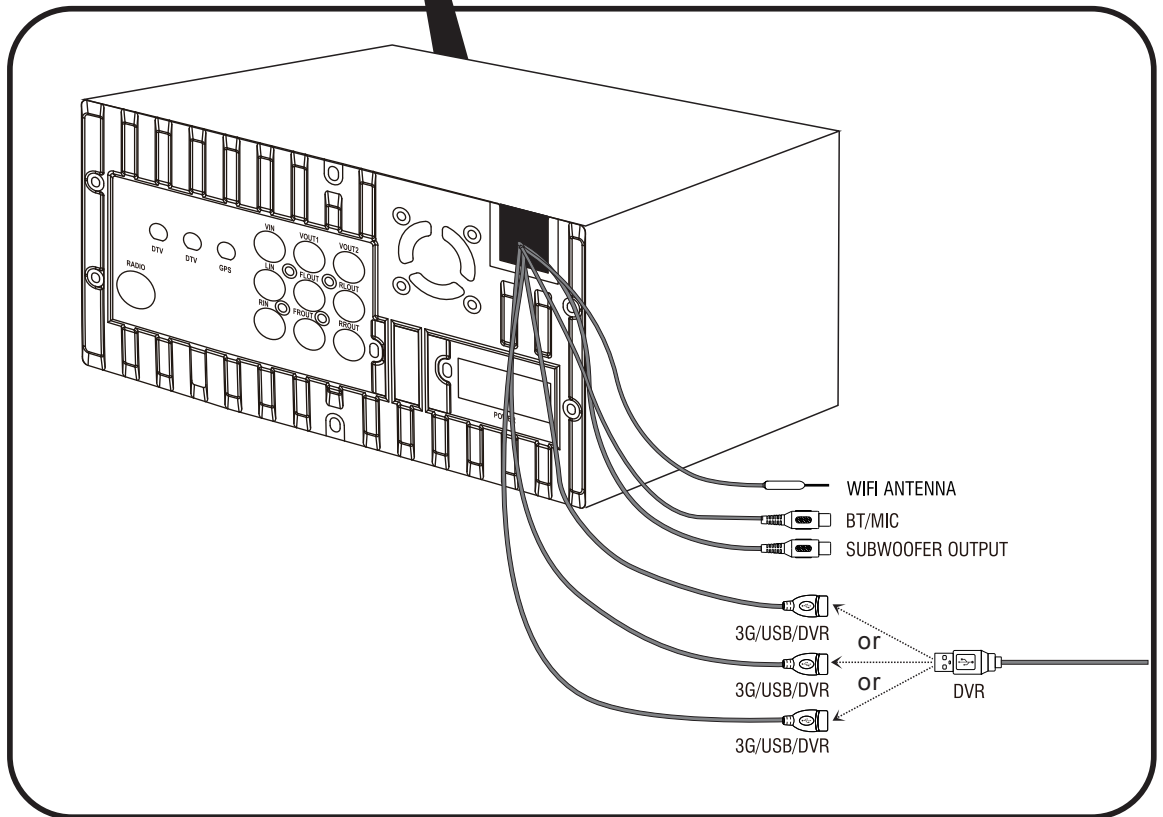
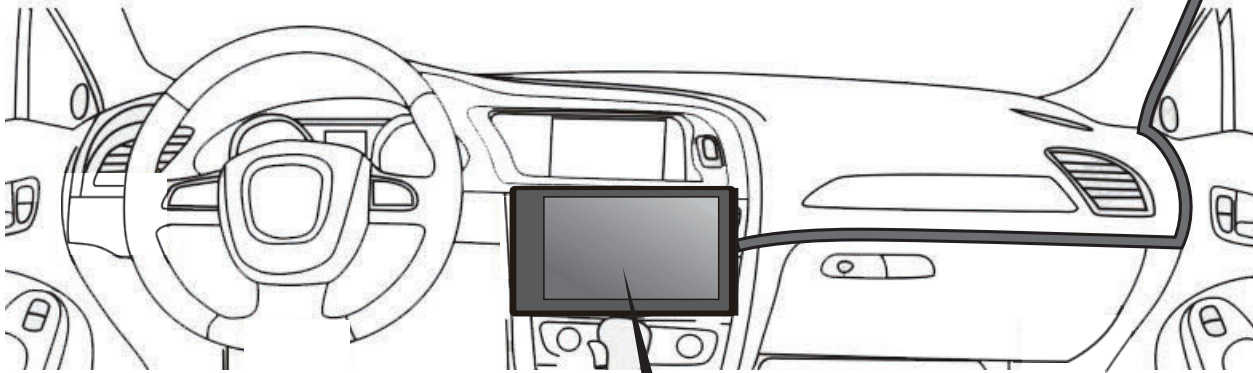
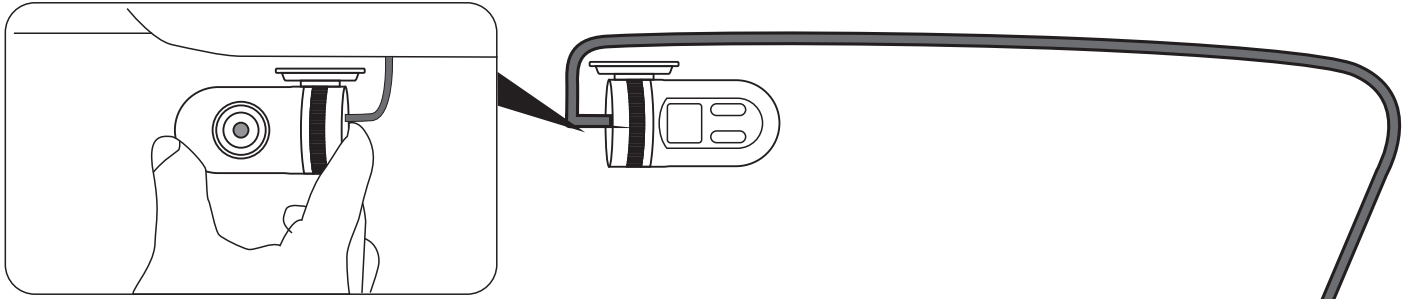
Restore to Default

1. After changing a different type of camera, the original parameters may not apply to new camera, which may cause recording failure. In this case, please restore the default parameters.
2. If recording fails due to parameter setting changes or other reasons, try to restore the default state through this function.

Video List

1. Press  or slide the screen left and right to enter DVR video list interface.
2. On the left of each list there is a video preview thumbnail. File name is showed in the first line on the right side, and time period in the second line.
3. Short press a video from the list to play it, long press to delete the video.

INSTALLATION



REAR VIEW BACKUP CAMERA INSTALLATION:



Please read all of the installation instructions carefully before installing the product. Improper installation will void manufacturer's warranty. The installation instructions do not apply to all types of vehicles, and are written as guidelines to assist in installing the system. Please consult an experienced technician if you are not comfortable installing the product. Prior to using and installing the Backup Camera System, please read the safety information provided in this user manual. Be sure to use the product as outlined in this user manual. Altercation or modifications carried out without appropriate authorization may invalidate the user's right to operate the equipment.

WARNING: *Failure to read and follow these warnings and instructions may result in serious injury, including damaged property, so please pay close attention and exhibit the utmost care.*

- The Digital Backup Camera is designed as an aid to the driver in detecting potentially hazardous driving conditions, obstructions, and large stationary objects. You, the driver, must also remember to drive safely and properly. Use of the Digital Backup Camera is not a substitute for safe, proper and legal driving practices.
- Never back up while looking only at your connected monitor display screen. You should always check behind and around the vehicle when backing up just as you would if the vehicle did not have the Digital Backup Camera. Always make sure your driving area is clear. Always back up slowly and with caution.
- Never depend on the Backup Camera entirely when backing up. The image on the monitor display screen may be slightly different from actual and real-time conditions. Objects viewed in the rear view monitor differ from actual distances because a wide-angle lens is used. So use the camera as an aid and always follow intended driving practices to properly judge distances from objects.
- The Backup Camera's assisted low lux lighting performance feature is also an aid to a driver. Always use your own eyes to confirm the vehicle's surroundings, as the displayed image may be not well lit or not entirely visible. Always proceed with caution and perform double-checks before proceeding.
- The area displayed by the Backup Camera is limited. It does not display objects that are close to or just below the bumper, underneath the vehicle, or objects out of the camera's view. The camera's view can change according to your vehicle's orientation on the road or changing road conditions.
- Be sure to check the camera is properly functioning, is properly positioned and securely mounted, every time you operate your vehicle.
- Make sure your trunk or hatch operates correctly, as intended, before and after installation.
- Proceed with caution when cleaning your vehicle around the camera. Avoid excess water exposure around the camera especially with spraying or a power washer.
- Please make sure to keep the camera clean and unobstructed from any debris
- Follow all traffic laws and motor vehicle regulations.
- Consult local laws and regulations for any restrictions on installation or use.
- Using a Backup Camera System is not adequate enough to completely eliminate a vehicle's blind spot. Always remember to drive with caution, following all traffic laws.

System Installation and Wiring

Note: Camera System installation on diesel vehicles may require a slightly different wiring install.

Caution: *Connecting to other types of electrical systems will cause damage to your vehicle. Please contact the manufacturer if you are unaware of the system type in your vehicle. Refer to the model's power requirements prior to connection and installation.*

QUICK INSTALLATION:

This rearview backup camera system comes with camera and installation wiring. When installing, the camera is preferably to be mounted in the rear of your vehicle (just above the license plate).

This kit includes necessary wiring and cable connector accessories sufficient for typical connections. However, additional accessory cables and installation materials may be necessary for completely secure and operational backup camera performance.

Camera Connection:

Connect the camera to the using the included DC 12V power cable. Connect the DC 12V power cable to the positive 12V reverse tail light in the rear of your vehicle. Then, connect the black wire, of the DC 12V power cable, and ground properly. This connected power and ground cable then connects to the camera, and will supply power to the camera directly.

Next, use the included yellow RCA video connector cable, and run that cable from the yellow RCA video connector jack of the camera, to the yellow video connector of your compatible display monitor.

The yellow RCA cable when connected, automatically retrieves the video signal when activated (when your vehicle is switched into the reverse gear).

Installation Transcript:

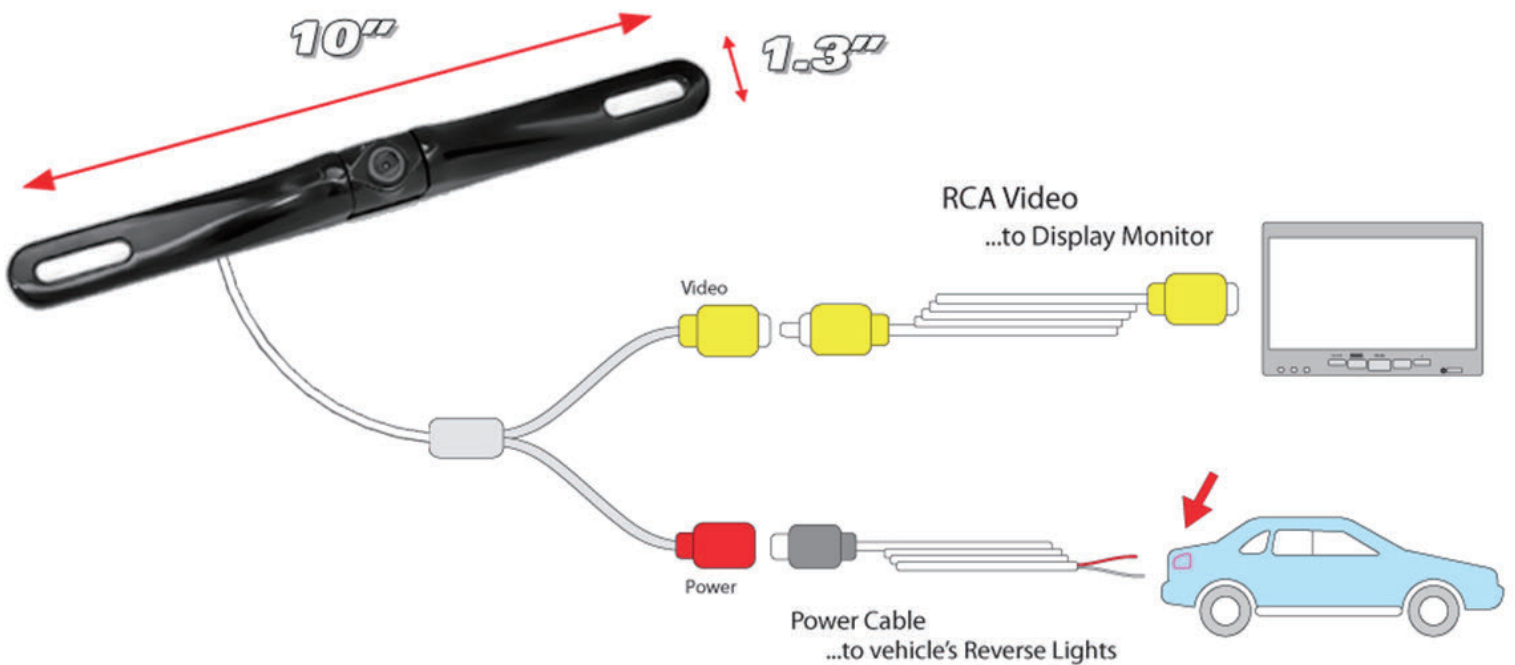
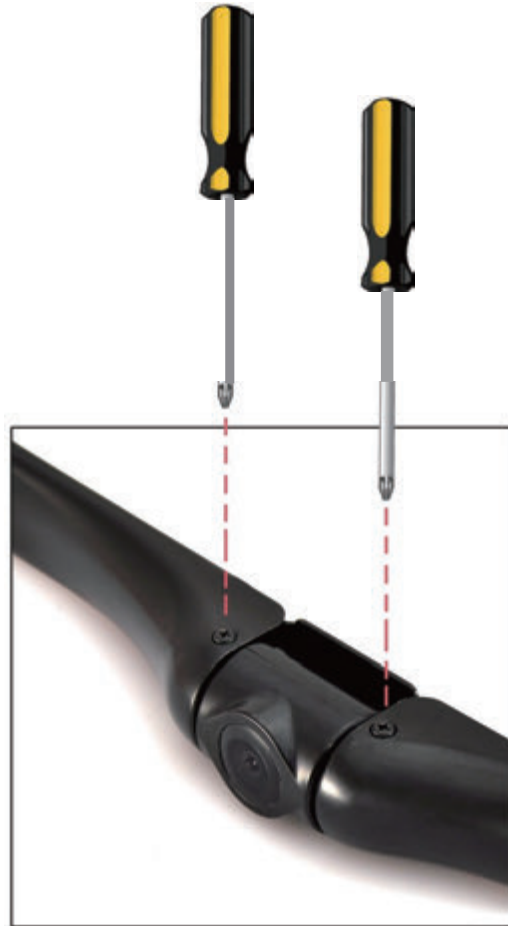
1. Locate the reverse taillight wiring behind your vehicle's reverse light. You may need to remove an interior panel, or other cover, in order to locate the wiring. Connect the included power 12V DC power cable to the reverse light.
 - a. Connect the power cable's Red wire to your vehicle's reverse light positive wire.
 - b. Connect the power cable's Black wire to your vehicle's reverse light negative wire.
2. Connect the camera to this 'reverse light' connection installation, then mount the camera in the desired location.
3. Run the RCA video cable from the camera to your compatible video display monitor.
 - * Please remember to run cables in the least obtrusive route possible. Vehicle vibrations and bumpy driving conditions can result, so extra care should be taken to securely mount the camera and fasten all cables and wiring to secure locations.
 - * Ensure the wires are safely and securely connected, with proper isolation applied to all connections.

Additional Notes:

- Determine the best location for the camera (The camera is preferably mounted just above the license plate).
- Be sure when running the connection cables to leave a small amount of slack so you can still move the camera around the license plate, if you decide to slightly adjust the camera's positioning at a later time.
- After installation, Test the camera before use. Placing your vehicle in reverse should provide a picture in the monitor within the rearview mirror assembly.

Angle Adjustable Camera Lens

- Located on the camera housing are 2 screws which lock the camera lens angle in position.
- The screws may be loosened to allow camera lens angle adjustment
- Loosen the screws, adjust the camera lens into the desired angle. then tighten the screws securely.
- Be sure as to not overtighten the screws.



PHONE LINK SOFTWARE

This phone link software is developed by a 3rd party Apps developer, which we provided to our valued customers free of charge. As mobile phones manufacturers are keeping on upgrading their system, this device may not be compatible with their upgraded operating system, we will not be responsible for these incompatibility.

1. Product Introduction

Easyconnected is a software product which is developed by Wuhan Carbit Information Co., Ltd. and achieves the interconnection between a mobile phone and a vehicle navigator. This product can achieve double screen interconnection between the mobile phone and vehicle navigator by the standard USB interface or Wi-Fi connection manner. It projects the screen of mobile phone to the vehicle navigator, the mobile phone may be operated on the vehicle navigator, and the traditional navigator is changed into an intelligent vehicle-mounted system, thus experiencing a new car life immediately.

2. Product Support Information

2.1. Supported Vehicle Navigator

According to different vehicle navigator systems, Easyconnected provides WinCE navigator version, Android navigator version and QNX navigator version.

2.2. Supported Mobile Phone

Mobile phones based on Android and IOS platforms can be connected to Easyconnected. Information of mobile phone versions supported by **Easyconnected** is as follows:

Mobile Phone	Easyconnected Configuration	Easyconnected Platform	Easyconnected Requirement	Android
Android mobile phone	Processor: Dual core or above Main frequency higher than 1.5GHZ Memory: >1GB System: Android 2.3 and above	Supports USB and Wi-Fi connection	Supports USB connection	Supports USB and Wi-Fi connection
IOS mobile phone	Model: iPhone 4S-6 Plus System: IOS 7.1 and above	Support Wi-Fi connection	Support Wi-Fi connection	not support

3. Important

3.1. Enable USB debugging

Before connecting Easyconnected to Android mobile phone, ensure that [USB Debugging] option of Android mobile phone has been enabled. If you do not know how to enable it, please check (7.1 How to enable USB debugging switch of Android mobile phone).

3.2. Select USB cable

Since there's great difference in the performances of mobile phone data cables on the market, you're strongly recommended to use your original USB data cable of your phone for connection. Otherwise, use the USB data cable with the shielding function for connection as far as possible to ensure the connection stability.

3.3. Transmit mobile phone sound to vehicle navigator

Transmit the sound to the vehicle navigator to facilitate receiving and making a call. At the same time, the mobile phone audio can be transmitted to the vehicle terminal through A2DP protocol, and is played by the car loudspeaker. The bluetooth connection between the mobile phone and vehicle navigator shall be accomplished before using Easyconnected for the first time. Ensure the bluetooth connection status between the mobile phone and vehicle navigator when using each time. Refer to User Manual of Vehicle Terminal for the detailed procedure.

3.4. Mobile Phone Compatibility

Among the mobile phones with Android system, since the Android system has the problem of "version split" and the mobile phone manufacturers of all brands individually change the Android system, we cannot ensure that this product can be connected to all Android mobile phones normally. List of Mobile Phones Verified by **Easyconnected** provided by us is only for your reference. You may also try to connect those phones not listed in.

3.5. Description of Support to Android 2.3.x

Due to lack of support to the system below Android 2.3.X, part of functions may fail when the mobile phone with the system of such version is connected to this product. For example, the video in the mobile phone played through the double screen interaction may not be displayed normally.

3.6. Difference in Connection Performance

Due to the difference in the performance of mobile phones, the performance may have difference when using different mobile phones for connection.

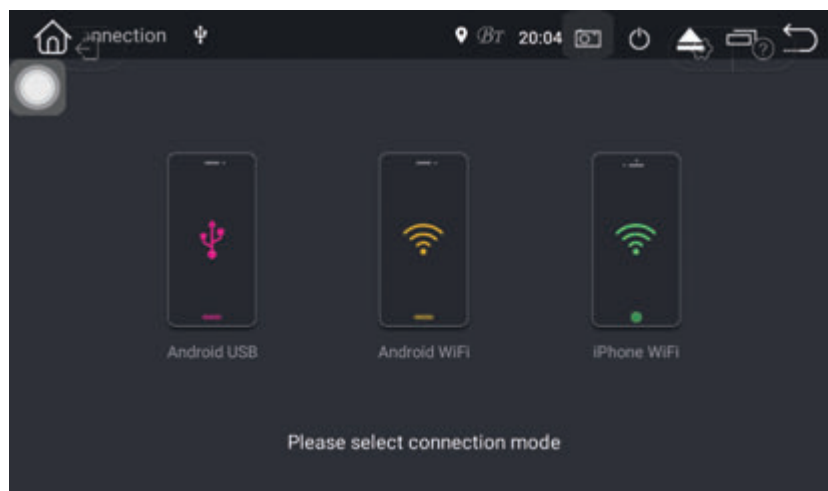
4. Legal Statement

Carefully read and thoroughly understand this Statement before using this software. You may not use this software, while you're considered to accept the whole contents of this Statement if you use it.

1. Please operate this software before the car runs or when the car parks. Do not operate it when the car is running, or else you shall shoulder the responsibility for the safety accidents arising therefrom.
2. Please select the traffic route according to the actual traffic condition, while the map navigation is only for your reference. You shall shoulder the responsibility for any behavior violating the traffic laws and other laws.
3. Use this software after user registration, and authorize our company to collect the data generated during the use of this software for product improvement and new function development.

5. Connection and Use

5.1. Functions of Easyconnected versions Easyconnected Android (support Android vehicle navigator)



Start Easyconnected software, and click different mobile phones and connection manners:

1. USB connection to Android mobile phone
2. Wi-Fi connection to IOS mobile phone
3. Wi-Fi connection to Android mobile phone

PYLE

PyleUSA.com



VISIT US ONLINE:

Have a question?

Need service or repair?

Want to leave a comment?

PyleUSA.com/ContactUs

PYLE