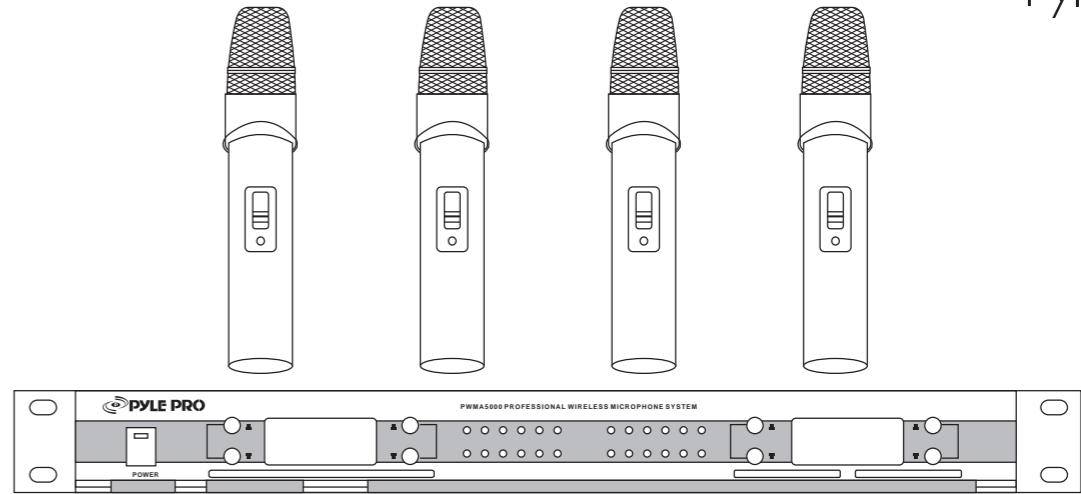




VISIT US ONLINE:
Have a question?
Need service or repair?
Want to leave a comment?
PyleUSA.com/ContactUs



PDWM5500 **Wireless Microphone System**
USER MANUAL

SPECIFICATION

System Specifications

- 1) Modulation mode: VHF
- 2) Signal to Noise Ratio: >60dB
- 3) Maximum Sound Pressure Level:..... >100dB
- 4) Distortion:..... <0.5%
- 5) Operating Range:..... Approx 240 ft.

TRANSMITTER

- 1) RF Output Power:..... 100mW MAX
- 2) Harmonic Suppression:..... 40dB
- 3) Antenna:..... Built in
- 4) Power Supply:..... 1.5V(AA) x3
- 5) Nominal Current Drain:..... Approx.15mA
- 6) Battery Life:..... Approx. 12 hours

RECEIVER

- 1) RF Output Power:..... 100mW MAX
- 2) Harmonic Suppression:..... 40dB
- 3) Antenna:..... Built in
- 4) Power Supply:..... 1.5V(AA) x3
- 5) Nominal Current Drain:..... Approx.15mA
- 6) Battery Life:..... Approx. 12 hours

PREFACE

Before operating please read this instruction manual carefully and thoroughly in order to understand the correct operating procedures and achieve the best results.

FEATURES:

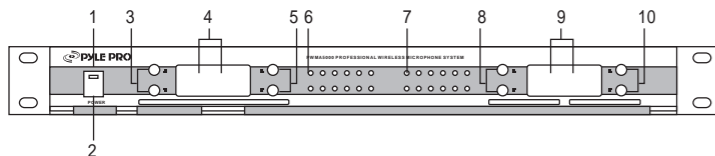
- ALC circuit to eliminate distortion
- Frequency compressing / expanding (companding) circuitry to lower noise and increase the dynamic range.
- Superior squelch and high signal to noise ration.
- Near zero noise output when on standby.
- Wide frequency response range and low distortion.
- Convenient operation status indicators.
- LED Displays.
- Multiple HF and MF narrow band filters to eliminate interfering signal.
- Low power consumption components to ensure longer battery life.
- Special impact wave eliminating circuit for microphone switch.
- Long transmitting distance-up to 240 ft. in ideal circumstances.

SYSTEM SETUP

- 1) Plug the included audio cable into the receiver's mixed output connector, and the other end into a mixer or power amplifier system. Fully extend the two antennas to the vertical position. Switch on the receiver. The **POWER ON** light will illuminate.
- 2) Open the battery cover of the microphone and install the batteries inside the compartment properly. Replace the cover.
- 3) Position the transmitter power switch to **ON**. The indicator light will illuminate. The microphone features a 3-way power switch. The middle position (standby) functions as a mute switch.
- 4) The receiver's corresponding channel light will illuminate, indicating reception.
- 5) Adjust the volume knobs of the receiver and power amplifier.
- 6) When the transmitter power indicator dims, it indicates low battery power. Replace the batteries.

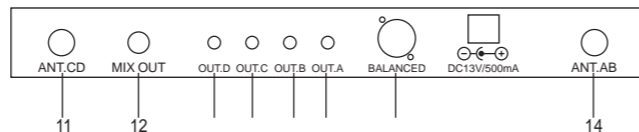
RECEIVER AND TRANSMITTER

FRONT PANEL OF RECEIVER



- 1) Power Indicator
- 2) Power Switch
- 3) CH.A Volume Control
- 4) CH.A/B LED Displays
- 5) CH.B Volume Control
- 6) CH.A/B AF Meters
- 7) CH.C/D AF Meters
- 8) CH.C Volume Control

REAR PANEL OF RECEIVER

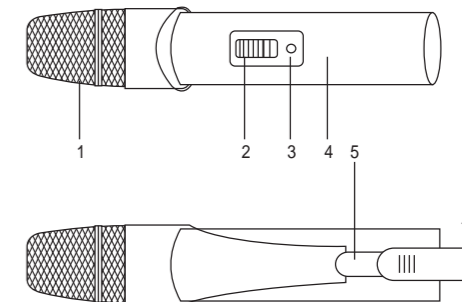


- 9) CH.C/D LED Displays
- 10) CH.D Volume Control
- 11) CH. C/D Antenna Connector
- 12) Individual Audio Output
- 13) Mixed Audio Output
- 14) CH.A/B Antenna Connector
- 15) AC Power Input (voltage selectable)

RECEIVER AND TRANSMITTER

Description

- 1) Grill
- 2) Power Switch
- 3) LED Power Indicator
- 4) Mic Body
- 5) Battery Compartment



1. Unit does not turn on.

- Make sure the power cable is connected properly. Check the fuse.
- Check the voltage selector

2. AF display moves, but there is no sound output.

- Check volume level. Check audio cable.
- Check the settings on your amplifier.

3. The effective receiving distance decreases.

- Change batteries.
- Check for any devices that may be causing interference.

4. Sound Quality Deteriorates

- Change Batteries.
- Check for any devices that may be causing interference.
- Do not use two machines with the same frequency at the same time.

Caution:

Do not open the unit. There are no user serviceable parts inside. Refer service to a qualified technician.