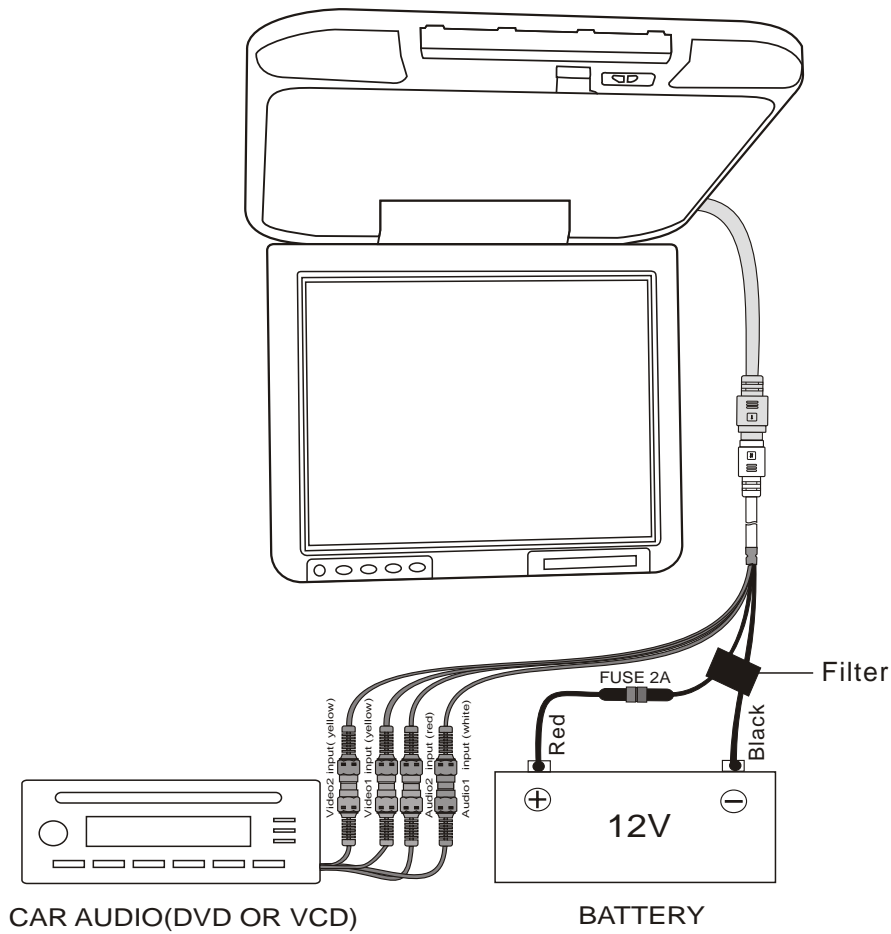


WIRING DIAGRAM



PYLE®

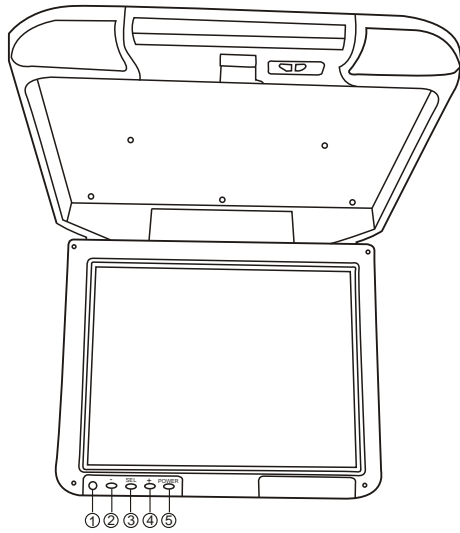
10.4" TFT LCD COLOR MONITOR

Instruction Manual



WARNING:
HAZARD DO NOT OPERATE THIS
UNIT UNLESS VEHICLE IS PARKED
IN SAFE AND LEGAL AREA

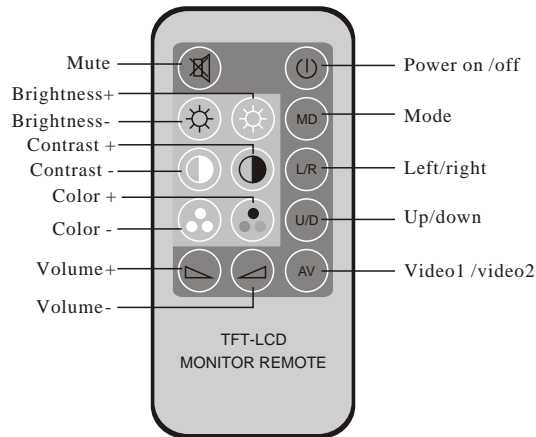
PLVW1042R



Panel

- 1.Sensor for remote
- 2. Adjustment (-)
- 3.SEL
- 4.Adjustment (+)
- 5.POWER

Remote control



Remark:MODE,UP/DOWN,VOLUME,MUTE are not available for this model.

Contents and specifications can be subjected to change without prior notice.

Specifications

Screen Size:	10inch 4:3TFT
System:	PAL/NTSC
Power source/Consumption:	DC12V+/-20%, ≤1250mA
Video Input:	Composition Video signal
Storage Temperature:	-10℃ ~ +85℃
Display Method :	Color LCD
Resolution(HxV):	1024(H) x 768(V)
Back light:	Cold Cathode Filament Tube
Monitor dimension:	286x280x35mm

Cautions

- ※ Never connect the car adaptor to cigarette lighters for such as trucks or buses which use 24V DC power.
- ※ Do not expose the monitor to high humidity,dust,steam, oily smoke,direct sunlight etc.
- ※ For your safety, turn power OFF when not in use and unplug the adaptor.
- ※ Never attempt your own maintenance.Consult your TV dealer or the company.
- ※ Avoid dropping and strong impact.
- ※ For your safety,the driver should not watch the Monitor or operate the controls while driving.

Accessories

- 1xRemote control
- 1xinstruction manual
- 1xMetal Bracket

WARNING:
DO NOT WATCH MONITOR WHILE VEHICLE IN MOTION.
IT CAN BE HAZARDOUS.